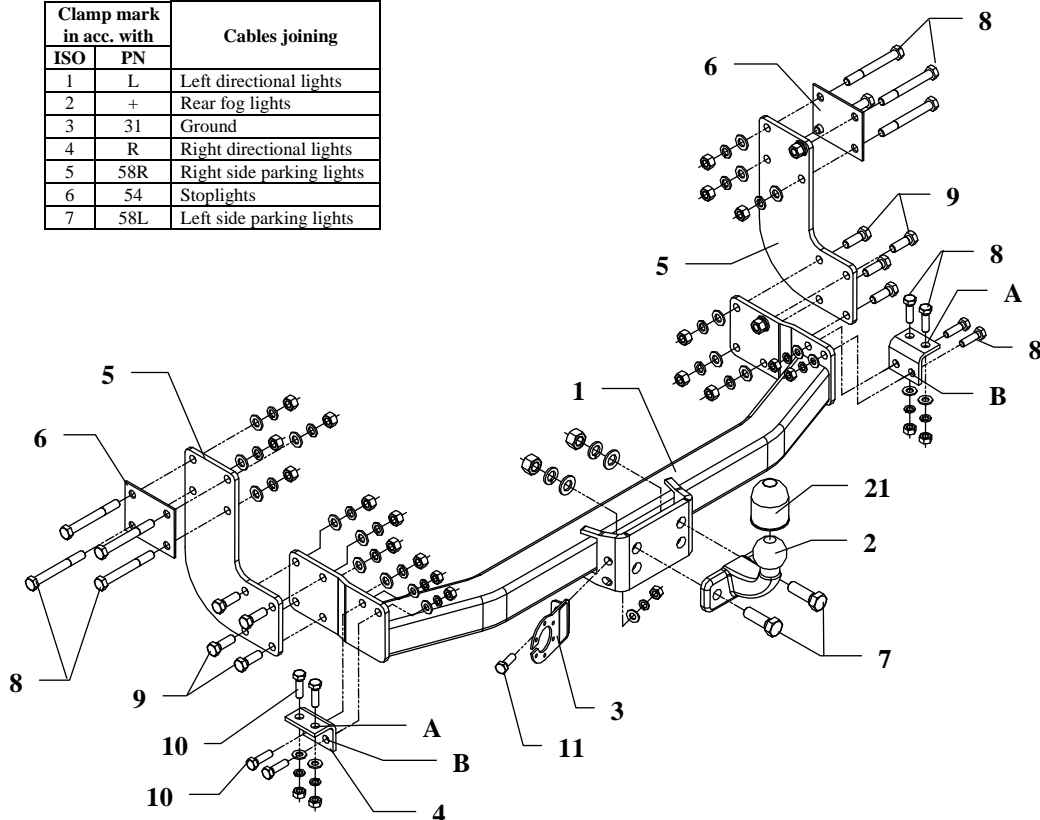


FITTING INSTRUCTION

Clamp mark in acc. with		Cables joining
ISO	PN	
1	L	Left directional lights
2	+	Rear fog lights
3	31	Ground
4	R	Right directional lights
5	58R	Right side parking lights
6	54	Stoplights
7	58L	Left side parking lights



The instruction of the assembly

1. Fix main bar of the towbar (pos. 1) with side brackets (pos. 5) using 12x35mm bolts (pos. 9) from towbar accessories.
2. In this way prepared towbar put below the car and through fish-plates (pos. 6) fix to the frame using M12x100mm bolts (pos. 8).
3. Handles (pos. 4) fix through holes (pos. A) with chassis frame and next through holes (pos. B) twist to main bar of the towbar using bolts M10x35mm (pos. 10) from accessories.
4. Fix tow-ball (pos. 2) using bolts M16x50mm (pos. 7) from towbar accessories.
5. Fix the socket plate (pos. 3) using bolt M10x30mm (pos. 11) as shown on the drawing.
6. Tighten all bolts according to the torque shown in the table.
7. Connect electric wires of 7-pole socket according to the instruction of the car. (Recommend to make at authorized service station)
8. Complete paint layer damaged during installation.

Torque settings for nuts and bolts (8,8):		
M6 - 11 Nm	M8 - 25 Nm	M10 - 50 Nm
M12 - 87 Nm	M14 - 138 Nm	M16 - 210 Nm

This towbar is designed to assembly in following cars:

MERCEDES SPRINTER produced since 02.1995 till 05.2006

VW LT 28/46 produced since 01.1996 till 03.2006

3.05m, without footstep, built-up, catalogue no. **D12** and is prepared to tow trailers max total weight **2800 kg** and max vertical mass **100 kg**.

From manufacturer

Thank you for buying our product. Their reliability has been confirmed in many tests. Reliability of towbar depends also on correct assembly and correct exploitation. For this reasons we kindly ask to read carefully this instruction and apply to hints. *The towbar should be installing in points described by a car producer.*

NOTE

After install the towbar you should get adequate note in registration book (at authorised service station).The car should be equipped with:

- Indicators
- Tow mirrors

Check all bolts and nuts after 1000km of exploitation. The ball of towbar must be always kept clear and conserve with a grease.



Towbar accessories:

Pos. 1 Main bar PCS.: 1	Pos. 6 Fish-plate PCS.: 2	Pos. 12 Plain washer ø17mm PCS.: 2	Pos. 18 Nut 8 B M16 PCS.: 2
	Pos. 7 Bolt 8,8 B M16x50 PCS.: 2	Pos. 13 Plain washer ø12mm PCS.: 16	Pos. 19 Nut 8 B M12 PCS.: 16
Pos. 2 Tow ball PCS.: 1	Pos. 8 Bolt 8,8 B M12x100mm PCS.: 8	Pos. 14 Plain washer ø10mm PCS.: 9	Pos. 20 Nut 8 B M10 PCS.: 9
Pos. 3 Socket plate PCS.: 1	Pos. 9 Bolt 8,8 B M12x35mm PCS.: 8	Pos. 15 Spring washer ø16,3mm PCS.: 2	Pos. 21 Ball cover PCS.: 1
Pos. 4 Handle PCS.: 2	Pos. 10 Bolt 8,8 B M10x35mm PCS.: 8	Pos. 16 Spring washer ø12mm PCS.: 16	
Pos. 5 Side bracket PCS.: 2	Pos. 11 Bolt 8,8 B M10x30mm PCS.: 1	Pos. 17 Spring washer ø10mm PCS.: 9	

Towing hitch (without electrical set)

Class: **A50-X** Cat. no. **D12**

Designed for:

Manufacturer: **MERCEDES, VW**

Model: **SPRINTER, VW LT 28/46**

Type: **3,05m, without footstep, built-up**

produced:

Mercedes – since 02.1995 till 05.2006

Volkswagen – since 01.1996 till 03.2006

Technical data:

D-value: 15,3 kN

maximum trailer weight: **2800 kg**

maximum vertical cup mass: **100 kg**

Approval number acc. to regulations EKG/ONZ 55.01: E20-55R-01 1543

Foreword

This towing hitch is designed according to rules of safety traffic regulations. The towing hitch is a safety component and can be install only by qualified personnel. Any alteration or conversion of the towing hitch is prohibited and would lead to cancellation of design certification. Remove insulating compound and underseal from vehicle (if present) in the area of the matting surfaces of the towing hitch.

The vehicle manufacturer's specifications regarding trailer load and max. vertical cup mass are decisive for driving whereat values for the towing hitch cannot be exceeded.

D-value formula:

$$\frac{\text{Max trailer weight [kg]} \times \text{Max vehicle weight [kg]}}{\text{Max trailer weight [kg]} + \text{Max vehicle weight [kg]}} \times \frac{9,81}{1000} = D \text{ [kN]}$$