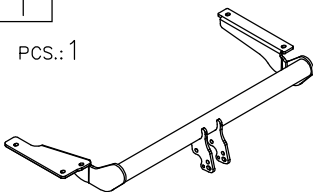
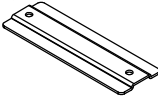
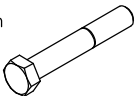
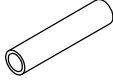
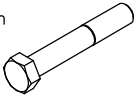

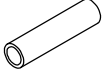

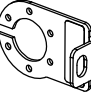


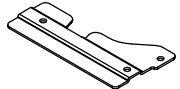




Towbar accessories:

Pos. 1 Main bar PCS.: 1 	Pos. 5 Right fish-plate PCS.: 1 	Pos. 10 Bolt 8.8 B M10x110mm PCS.: 4 
	Pos. 6 Distance sleeve ø17.2x2.35mm L=79mm PCS.: 1 	Pos. 11 Bolt 8.8 B M10x100mm PCS.: 1 
Pos. 2 Tow ball (mounting set) PCS.: 1 	Pos. 7 Distance sleeve ø17.2x2.35mm L=69mm PCS.: 3 	Pos. 12 Nut 8 B M10 PCS.: 5 
Pos. 3 Socket plate PCS.: 1 	Pos. 8 Distance sleeve ø17.2x2.35mm L=67mm PCS.: 1 	Pos. 13 Washer ø10,5mm PCS.: 5 
Pos. 4 Left fish-plate PCS.: 1 	Pos. 9 Washer 48x48x10mm PCS.: 1 	Pos. 14 Spring washer ø10,2mm PCS.: 5 



PPUH AUTO-HAK S.J.

Produkcja Zaczepów Kulowych
Henryk & Zbigniew Nejman
76-200 SŁUPSK ul. Słoneczna 16K
tel/fax (059) 8-414-414; 8-414-413
E-mail: office@autohak.com.pl
www.autohak.com.pl

Towing hitch (without electrical set)

Class: **A50-X** Cat. no. **E27A**

Designed for:

Manufacturer: **OPEL**

Model: **VECTRA "B"**

Type: **ESTATE**

produced since 11.1996 till 08.2003

Technical data:

D-value: 9,22 kN

maximum trailer weight: **1700 kg**

maximum vertical cup load: **75 kg**

Approval number according to Directive 94/20/EC: **e20*94/20*0663*00**

Foreword

This towbar is designed according to rules of safety traffic regulations. The towing hitch is a safety component and can be install only by qualified personnel. Any alteration or conversion of the towing hitch is prohibited and would lead to cancellation of design certification. Remove insulating compound and underseal from vehicle (if present) in the area of the matting surfaces of the towing hitch.

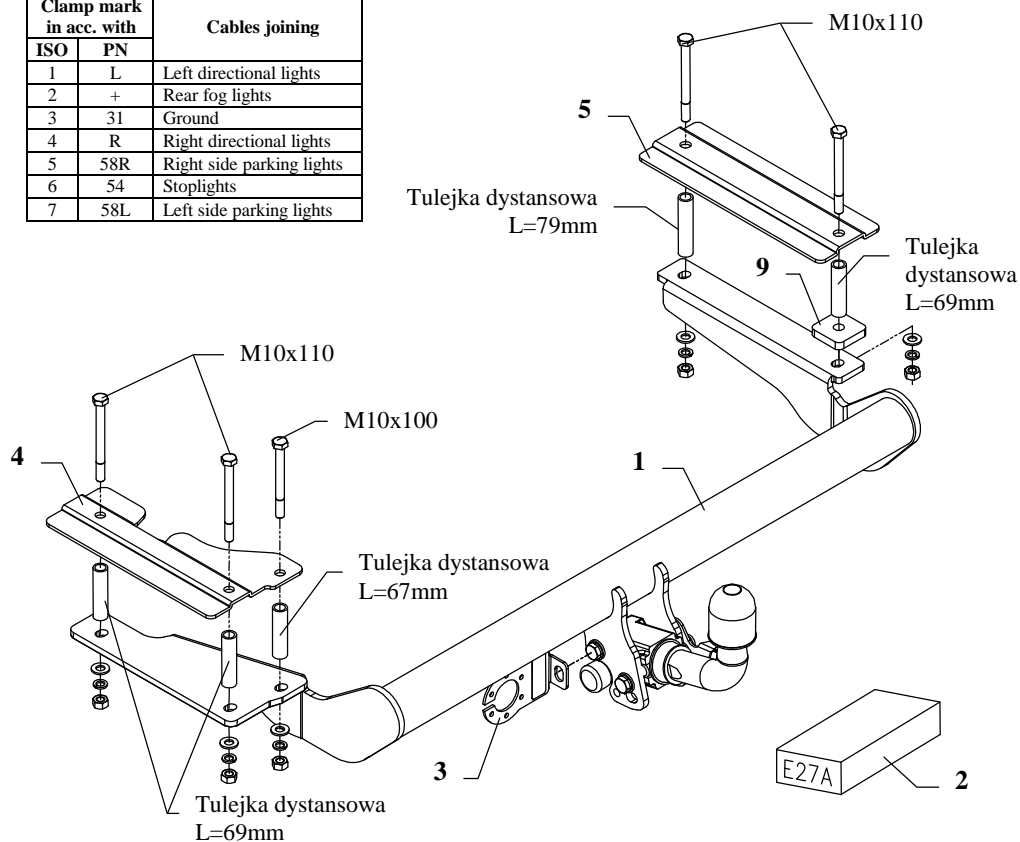
The vehicle manufacturer's specifications regarding trailer load and max. vertical cup load are decisive for driving, and values for the towing hitch cannot be exceeded.

D-value formula:

$$\frac{\text{Max trailer weight [kg]} \times \text{Max vehicle weight [kg]}}{\text{Max trailer weight [kg]} + \text{Max vehicle weight [kg]}} \times \frac{9,81}{1000} = D \text{ [kN]}$$

FITTING INSTRUCTION

Clamp mark in acc. with		Cables joining
ISO	PN	
1	L	Left directional lights
2	+	Rear fog lights
3	31	Ground
4	R	Right directional lights
5	58R	Right side parking lights
6	54	Stoplights
7	58L	Left side parking lights



This towbar is designed to assembly in following cars:
OPEL VECTRA “B” ESTATE, produced since 11.1996 till 08.2003,
 catalogue number **E27A** and is prepared to tow trailers max total weight
1700 kg and max vertical mass **75 kg**.

From manufacturer

Thank you for buying our product. Their reliability has been confirmed in many tests. Reliability of towbar depends also on correct assembly and correct exploitation. For this reasons we kindly ask to read carefully this instruction and apply to hints.

The towbar should be install in points described by a car producer.

To install the towbar you need electric drill and bit $\phi 17\text{mm}$.

The instruction of the assembly

1. Disassemble a bumper, and pull a boot carpet back.
2. Find two marked holes on the right and drill it $\phi 17\text{mm}$.
3. Find three marked holes on the left and drill it $\phi 17\text{mm}$.
4. Put distance sleeves through the just made holes and position elements (pos. 4 and 5), then put bolts M10 (pos. 10 and 11) (as it shown in the drawing).
5. Position main bar of the towing hitch (pos. 1) on the sticking bolts out.
6. Reassemble the bumper (earlier take a foam out the bumper).
7. Fix body of the automat and place tow-ball according to supplied instruction. Note! Remember to place socket plate (pos. 3) as shown on the drawing 1.
8. Tighten all bolts according to the torque shown in the table.
9. Connect electric wires of 7-poles socket according to the instruction of the car. (Recommend to make at authorized service station)
10. Complete paint layer damaged during installation.

Torque settings for nuts and bolts (8,8):	
M 8 - 25 Nm	M 10 - 55 Nm
M 12 - 85 Nm	M 14 - 135 Nm

NOTE

After install the towbar you should get adequate note in registration book (at authorised service station).The car should be equipped with:

- Indicators
- Tow mirrors

After 1000km of exploitation check all bolts and nuts. The ball of towbar must be always kept clear and conserve with a grease.