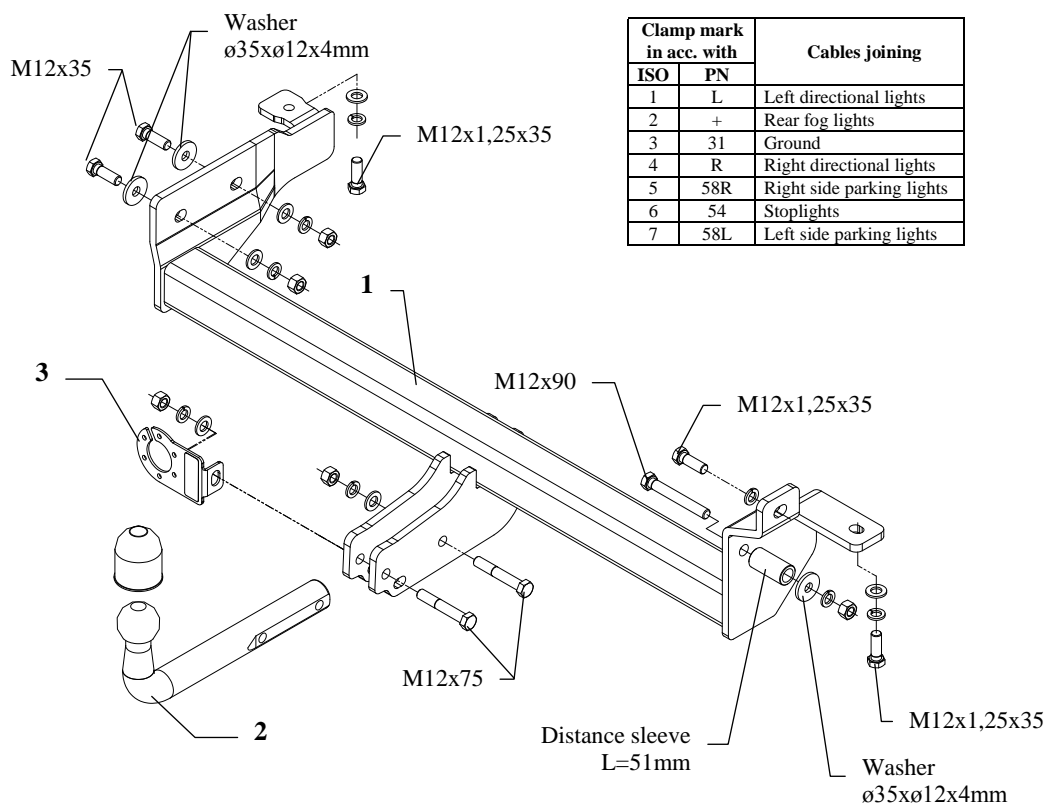


## FITTING INSTRUCTION



This towbar is designed to assembly in following cars:  
**OPEL FRONTERA, 2/4 doors Sport (UT2/UT4)**, produced since 10.1998 till 08.2003, catalogue no. **E44** and is prepared to tow trailers max total weight **2800 kg** and max vertical load **112 kg**.

### *From manufacturer*

Thank you for buying our product. Their reliability has been confirmed in many tests. Reliability of towbar depends also on correct assembly and right operation. For this reasons we kindly ask to read carefully this instruction and apply to hints.

*The towbar should be install in points described by a car producer.*

## The instruction of the assembly

1. Put the main bar of the towbar (pos. 1) to frame of the car in this way so holes in towbar tally with original threaded holes in car's frame and fix all according to drawing.
2. Fix tow-ball (pos. 2) and socket plate (pos. 3) using bolts M12x75mm (pos. 6) from towbar accessories.
3. Tighten all bolts according to the torque shown in the table.
4. Connect electric wires of 7-poles socket according to the instruction of the car. (Recommend to make at authorized service station).
5. Complete paint layer damaged during installation.

Torque settings for nuts and bolts (8,8):	
<b>M 8</b> - 25 Nm	<b>M 10</b> - 55 Nm
<b>M 12</b> - 85 Nm	<b>M 14</b> - 135 Nm

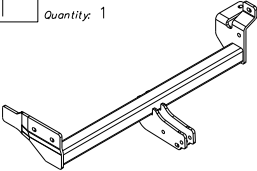
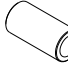

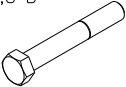

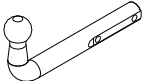
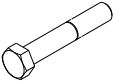

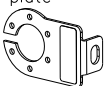
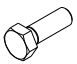

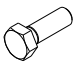
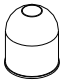
### NOTE

After install the towbar you should get adequate note in registration book (at authorised service station).The car should be equipped with:

- Indicators
- Tow mirrors

After 1000km check all bolts and nuts. The ball of towbar must be always kept clear and conserve with a grease.

## Towbar accessories:

Pos. 1 Name: Main bar Quantity: 1 	Pos. 4 Name: Distance sleeve Quantity: 1 Dim.: Ø25xØ17, L=51 	Pos. 9 Name: Washer Quantity: 3 Dim.: Ø35xØ12x4mm 
	Pos. 5 Name: Bolt 8,8 B Quantity: 1 Dim.: M12x90mm 	Pos. 10 Name: Plain washer Quantity: 7 Dim.: Ø 13 mm 
Pos. 2 Name: Tow ball Quantity: 1 	Pos. 6 Name: Bolt 8,8 B Quantity: 2 Dim.: M12x75mm 	Pos. 11 Name: Spring washer Quantity: 8 Dim.: Ø 12,2 mm 
Pos. 3 Name: Socket plate Quantity: 1 	Pos. 7 Name: Bolt 8,8 B Quantity: 2 Dim.: M12x35mm 	Pos. 12 Name: Nut 8 B Quantity: 5 Dim.: M12 
	Pos. 8 Name: Bolt 8,8 B Quantity: 3 Dim.: M12x1,25x35mm 	Pos. 13 Name: Ball cover Quantity: 1 



**PPUH AUTO-HAK S.J.**

Produkcja Haków Holowniczych  
Henryk & Zbigniew Nejman  
76-200 SŁUPSK ul. Słoneczna 16K  
tel/fax (059) 8-414-414; 8-414-413  
e-mail: [office@autohak.com.pl](mailto:office@autohak.com.pl)  
[www.autohak.com.pl](http://www.autohak.com.pl)

## Towing hitch (without electrical set)

Class: **A50-X** Cat. no. **E44**

Designed for:

Manufacturer: **OPEL**

Model: **FRONTERA**

Type: **2/4 doors Sport (UT2/UT4)**

produced since 10.1998 till 08.2003

Technical data:

**D-value: 12,9 kN**

maximum trailer weight: **2800 kg**

maximum vertical cup load: **112 kg**

**Approval number acc. to regulations EKG/ONZ 55.01: E20-55R-01 1400**

## Foreword

This towbar is designed according to rules of safety traffic regulations. The towing hitch is a safety component and can be install only by qualified personnel. Any alteration or conversion of the towing hitch is prohibited and would lead to cancellation of design certification. Remove insulating compound and underseal from vehicle (if present) in the area of the matting surfaces of the towing hitch. The vehicle manufacturer's specifications regarding trailer load and max. vertical cup load are decisive for driving whereat values for the towing hitch cannot be exceeded.

*D-value formula:*

$$\frac{\text{Max trailer weight [kg]} \times \text{Max vehicle weight [kg]}}{\text{Max trailer weight [kg]} + \text{Max vehicle weight [kg]}} \times \frac{9,81}{1000} = D \text{ [kN]}$$