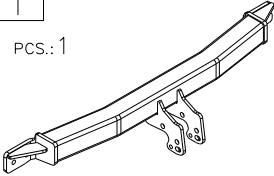
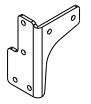



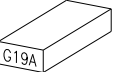


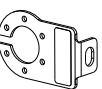
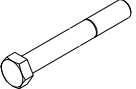

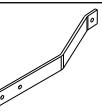
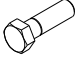

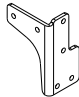




Towing hitch accessories:

Pos. 1 Main bar PCS.: 1	Pos. 6 Left bracket PCS.: 1	Pos. 12 Nut 8 B M10 PCS.: 10
		
	Pos. 7 Distance sleeve ø17.2x2.3mm L=48mm PCS.: 2	Pos. 13 Plain washer ø10.5mm PCS.: 10
		
Pos. 2 Tow ball PCS.: 1	Pos. 8 Special nut M8 PCS.: 4	Pos. 14 Plain washer ø30xø10.5x2.5mm PCS.: 3
		
Pos. 3 Socket plate PCS.: 1	Pos. 9 Bolt 8,8 B M10x90mm PCS.: 2	Pos. 15 Plain washer ø8.2mm PCS.: 4
		
Pos. 4 Side bracket PCS.: 2	Pos. 10 Bolt 8,8 B M10x40mm PCS.: 8	Pos. 16 Spring washer ø10.2mm PCS.: 10
		
Pos. 5 Right bracket PCS.: 1	Pos. 11 Bolt 8,8 B M8x30mm PCS.: 4	Pos. 17 Spring washer ø8.2mm PCS.: 4
		



PPUH AUTO-HAK S.pJ.

Produkcja Zaczepów Kulowych
Henryk & Zbigniew Nejman
76-200 SŁUPSK ul. Słoneczna 16K
tel/fax (059) 8-414-414; 8-414-413
E-mail: office@autohak.com.pl
www. autohak.com.pl

Towing hitch (without electrical set)

Class: **A50-X** Cat. no. **G19A**

Designed for:

Manufacturer: **RENAULT**

Model: **LAGUNA**

Type: **ESTATE**

produced since 08.1995 till 03.2001

Technical data:

D-value: 9,30 kN

maximum trailer weight: **1850 kg**

maximum vertical cup load: **75 kg**

Approval number acc. to regulations EKG/ONZ 55.01: **E20-55R-01 4739**

Foreword

This towing hitch is designed according to rules of safety traffic regulations. The towing hitch is a safety component and can be install only by qualified personnel. Any alteration or conversion of the towing hitch is prohibited and would lead to cancellation of design certification. Remove insulating compound and underseal from vehicle (if present) in the area of the matting surfaces of the towing hitch. The vehicle manufacturer's specifications regarding trailer load and max. vertical cup load are decisive for driving, and values for the towing hitch cannot be exceeded.

D-value formula:

$$\frac{\text{Max trailer weight [kg]} \times \text{Max vehicle weight [kg]}}{\text{Max trailer weight [kg]} + \text{Max vehicle weight [kg]}} \times \frac{9,81}{1000} = D \text{ [kN]}$$