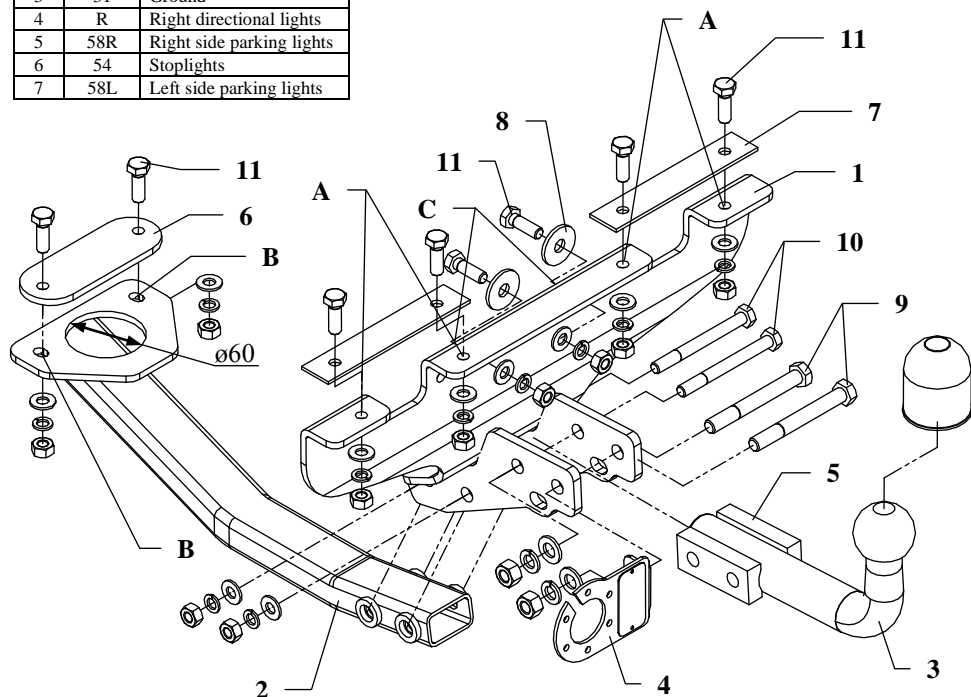


FITTING INSTRUCTION

Clamp mark in acc. with		Cables joining
ISO	PN	
1	L	Left directional lights
2	+	Rear fog lights
3	31	Ground
4	R	Right directional lights
5	58R	Right side parking lights
6	54	Stoptlights
7	58L	Left side parking lights



This towbar is designed to assembly in following cars:
SKODA FAVORIT, 5 doors, produced since 05.1989 till 08.1994,
 catalogue no. **H03** and is prepared to tow trailers max total weight **900 kg**
 and max vertical load **50 kg**.

From manufacturer

Thank you for buying our product. Their reliability has been confirmed in many tests. Reliability of towbar depends also on correct assembly and right operation. For this reasons we kindly ask to read carefully this instruction and apply to hints.

The towbar should be install in points described by a car producer.

The instruction of the assembly

1. Disassemble the bumper and take out the spare wheel from the niche.
2. Fix (with reasonable moment) by bolts M10x100mm (pos. 10) the elements (pos. 1 and 2) and apply to the chassis in the longitudinal axis. Coincide the hole $\varnothing 60\text{mm}$ in the element (pos. 2) with the salient on the bowl of spare wheel.
3. Drill trough across the holes A to $\varnothing 11\text{mm}$ from the inside of the carrier. Fix with bolts M10x30mm (pos. 11) across the fish-plates (pos. 7) applied to the inside the carrier.
4. Drill trough across the holes B to $\varnothing 11\text{mm}$, to the spare wheel niche. Fix with bolts M10x30mm (pos. 11) across the fish-plate (pos. 6) applied in the niche of spare wheel.
5. Drill trough across the holes in the towbar C to $\varnothing 11\text{mm}$. Fix with bolts M10x30mm (pos. 11) across the washer $\varnothing 35\text{mm}$ (pos. 8) from the accessories.
6. Install the bumper and put the spare wheel.
7. To the installed bar, mount the tow-ball (pos. 3) with cover plates (pos. 5) and socket plate (pos. 4) using bolts M12x100mm (pos. 9).
8. Tighten all bolts according to the torque shown in the table.
9. Connect electric wires of 7-poles socket according to the instruction of the car. (Recommend to make at authorized service station).
10. Complete paint layer damaged during installation.

Torque settings for nuts and bolts (8,8):	
M 8 - 25 Nm	M 10 - 55 Nm
M 12 - 85 Nm	M 14 - 135 Nm

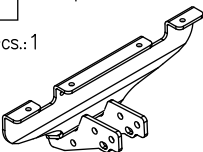
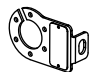
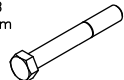

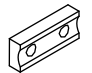
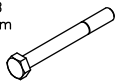

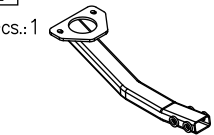
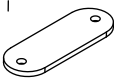
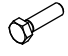

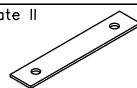


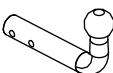



NOTE

After install the towbar you should get adequate note in registration book (at authorised service station). The car should be equipped with:

- Indicators
- Tow mirrors

After 1000km check all bolts and nuts. The ball of towbar must be always kept clear and conserve with a grease.

Towbar accessories:

Pos. 1 Main plate PCS.: 1 	Pos. 4 Socket plate PCS.: 1 	Pos. 9 Bolt 8,8 B M12x100mm PCS.: 2 	Pos. 14 Plain washer ø12mm PCS.: 2 
	Pos. 5 Cover plate PCS.: 2 	Pos. 10 Bolt 8,8 B M10x100mm PCS.: 2 	Pos. 15 Plain washer ø10mm PCS.: 10 
Pos. 2 Bar PCS.: 1 	Pos. 6 Fish-plate I PCS.: 1 	Pos. 11 Bolt 8,8 B M10x30mm PCS.: 8 	Pos. 16 Spring washer ø12mm PCS.: 2 
	Pos. 7 Fish-plate II PCS.: 2 	Pos. 12 Nut 8 B M12 PCS.: 2 	Pos. 17 Spring washer ø10mm PCS.: 10 
Pos. 3 Tow ball PCS.: 1 	Pos. 8 Washer ø35xø12x3mm PCS.: 2 	Pos. 13 Nut 8 B M10 PCS.: 10 	Pos. 18 Ball cover PCS.: 1 



PPUH AUTO-HAK S.J.

Produkcja Haków Holowniczych
Henryk & Zbigniew Nejman
76-200 SŁUPSK ul. Słoneczna 16K
tel/fax (059) 8-414-414; 8-414-413
E-mail: office@autohak.com.pl
www.autohak.com.pl

Towing hitch (without electrical set)

Class: **A50-X** Cat. no. **H03**

Designed for:

Manufacturer: **SKODA**

Model: **FAVORIT**

Type: **5 doors**

produced since 05.1989 till 08.1994

Technical data:

D-value: 5,4 kN

maximum trailer weight: **900 kg**

maximum vertical cup load: **50 kg**

Approval number acc. to regulations EKG/ONZ 55.01: E20-55R-01 0936

Foreword

This towbar is designed according to rules of safety traffic regulations. The towing hitch is a safety component and can be install only by qualified personnel. Any alteration or conversion of the towing hitch is prohibited and would lead to cancellation of design certification. Remove insulating compound and underseal from vehicle (if present) in the area of the matting surfaces of the towing hitch. The vehicle manufacturer's specifications regarding trailer load and max. vertical cup load are decisive for driving whereat values for the towing hitch cannot be exceeded.

D-value formula:

$$\frac{\text{Max trailer weight [kg]} \times \text{Max vehicle weight [kg]}}{\text{Max trailer weight [kg]} + \text{Max vehicle weight [kg]}} \times \frac{9,81}{1000} = D \text{ [kN]}$$