

## FITTING INSTRUCTION

Clamp mark in acc. with		Cables joining
ISO	PN	
1	L	Left directional lights
2	+	Rear fog lights
3	31	Ground
4	R	Right directional lights
5	58R	Right side parking lights
6	54	Stoplights
7	58L	Left side parking lights

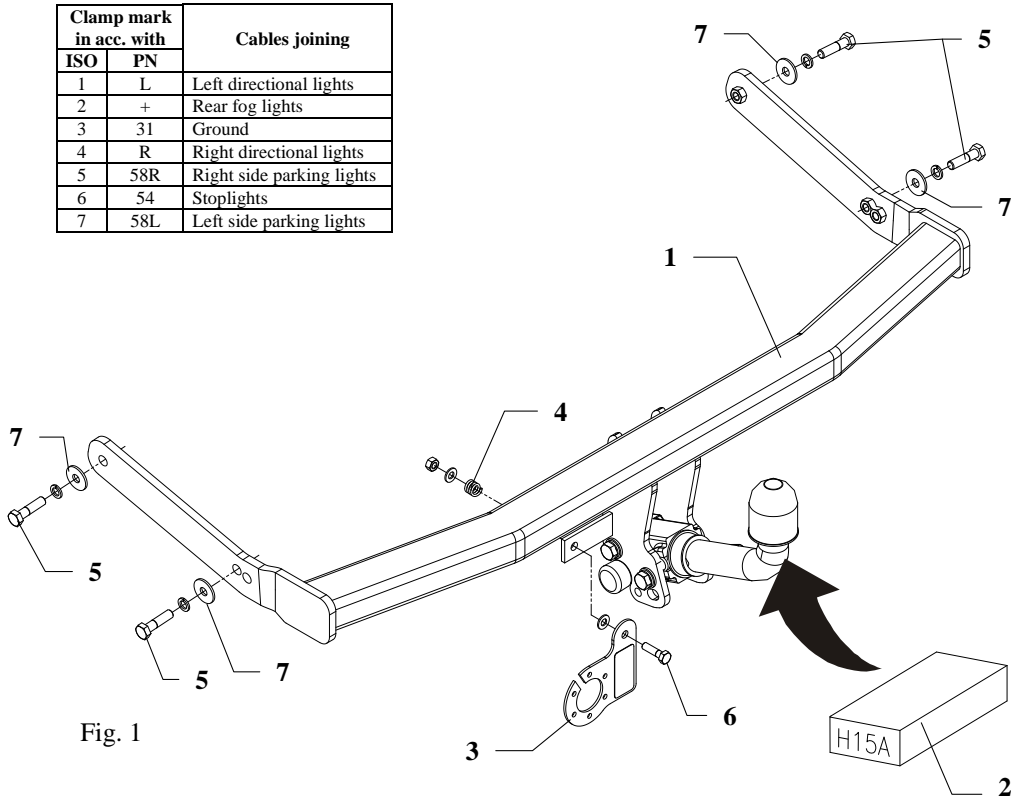


Fig. 1

This towbar is designed to assembly in following car:  
**SKODA OCTAVIA ESTATE (1U), 4WD** produced since 11.1999 till 12.2010 and **VOLKSWAGEN GOLF IV 3/5 doors, only 4 Motion** produced since 08.1999 till 10.2003, catalogue no. **H15A** and is prepared to tow trailers max total weight **1650 kg** and max vertical load **75 kg**.

### *From manufacturer*

Thank you for buying our product. Their reliability has been confirmed in many tests. Reliability of towbar depends also on correct assembly and right exploit. For this reasons we kindly ask to read carefully this instruction and apply to hints.

*The towbar should be install in points described by a car producer.*

## Fitting instructions

1. Remove the rear bumper and a metal support of bumper (this metal part will not be used any more).
2. Find two holes at the bottom of the car next to a chassis under the conservation layer.
3. Slide the bar (pos. 1) into the chassis and then fix with M10x40mm bolts (pos. 5) with big washers  $\varnothing 30 \times \varnothing 10,5 \times 2,5$ mm (pos. 8) from the towbar equipment. Choose holes depend on car type.
4. Tighten all nuts and bolts according the torque shown in the table.
5. Fix body of the automat according to supplied instruction.
6. Fix the socket plate (pos. 3) as shown on the drawing.
7. Cut the bumper according to figure 2 and mount it to the car.
8. Connect the electric wires according to the instructions of the car. (Recommend to make at authorized service station).
9. Complete the paint cover of towbar (during the mounting paint cover could be destroyed).

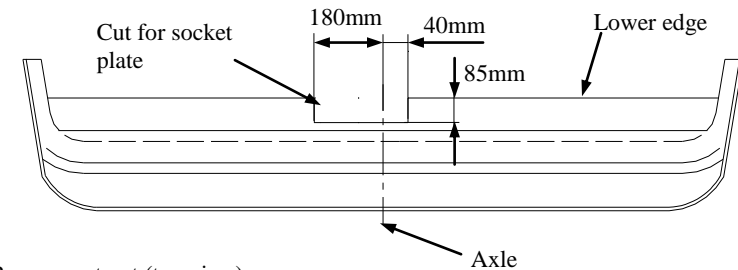


Fig. 2 Bumper cut out (top view)

Torque settings for nuts and bolts (8,8):

<b>M6</b> - 11 Nm	<b>M 8</b> - 25 Nm	<b>M 10</b> - 50 Nm
<b>M 12</b> - 87 Nm	<b>M 14</b> - 138 Nm	<b>M16</b> - 210 Nm

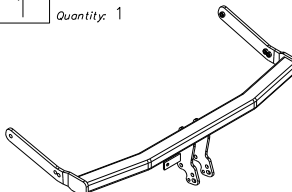
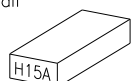
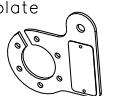


## NOTE

After install the towbar you should get adequate note in registration book (at authorised service station).The car should be equipped with:

- Indicators
- Tow mirrors

After 1000km of exploitation check all bolts and nuts. The ball of towbar must be always kept clear and conserve with a grease.

Towbar accessories:

Pos. 1 Name: Main bar Quantity: 1	Pos. 5 Name: Bolt 8,8 B Quantity: 4 Dim.: M10x40mm	Pos. 10 Name: Nut 8 B Quantity: 1 Dim.: M 8
	Pos. 6 Name: Bolt 8,8 B Quantity: 1 Dim.: M8x30mm	Pos. 11 Name: Ball cover Quantity: 1
Pos. 2 Name: Tow ball Quantity: 1	Pos. 7 Name: Plain washer Quantity: 4 Dim.: Ø30xØ10,5x2,5mm	
	Pos. 8 Name: Plain washer Quantity: 2 Dim.: Ø 8,5 mm	
Pos. 3 Name: Socket plate Quantity: 1	Pos. 9 Name: Spring washer Quantity: 4 Dim.: Ø 10,2 mm	
		
Pos. 4 Name: Spring Quantity: 1		
		



**PPUH AUTO-HAK Sp.J.**

Produkcja Zaczepów Kulowych  
Henryk & Zbigniew Nejman  
76-200 SŁUPSK ul. Słoneczna 16K  
tel/fax (059) 8-414-414; 8-414-413  
E-mail: office@autohak.com.pl  
www. autohak.com.pl

**Towing hitch (without electrical set)**

Class: **A50-X** Cat. no. **H15A**

Designed for:

**SKODA OCTAVIA ESTATE, (1U), 4WD**  
**produced since 11.1999 till 12.2010**  
**and VW GOLF IV 3/5 doors, only 4 Motion**  
**produced since 08.1999 till 10.2003**

Technical data:

**D-value: 9,2 kN**  
maximum trailer weight: **1650 kg**  
maximum vertical cup load: **75 kg**

**Approval number according to Directive 94/20/EC: e20\*94/20\*1055\*00**

**Foreword**

This towbar is designed according to rules of safety traffic regulations. The towing hitch is a safety component and must be installed only by qualified personnel. Any alteration or conversion to the towing hitch is prohibited and would lead to cancellation of design certification. Remove insulating compound and underseal from vehicle (if present) in the area of the matting surfaces of the towing hitch. The vehicle manufacturer's specifications regarding trailer load and max. vertical cup load are decisive for driving, and values for the towing hitch cannot be exceeded.

*D-value formula:*

$$\frac{\text{Max trailer weight [kg]} \times \text{Max vehicle weight [kg]}}{\text{Max trailer weight [kg]} + \text{Max vehicle weight [kg]}} \times \frac{9,81}{1000} = D \text{ [kN]}$$