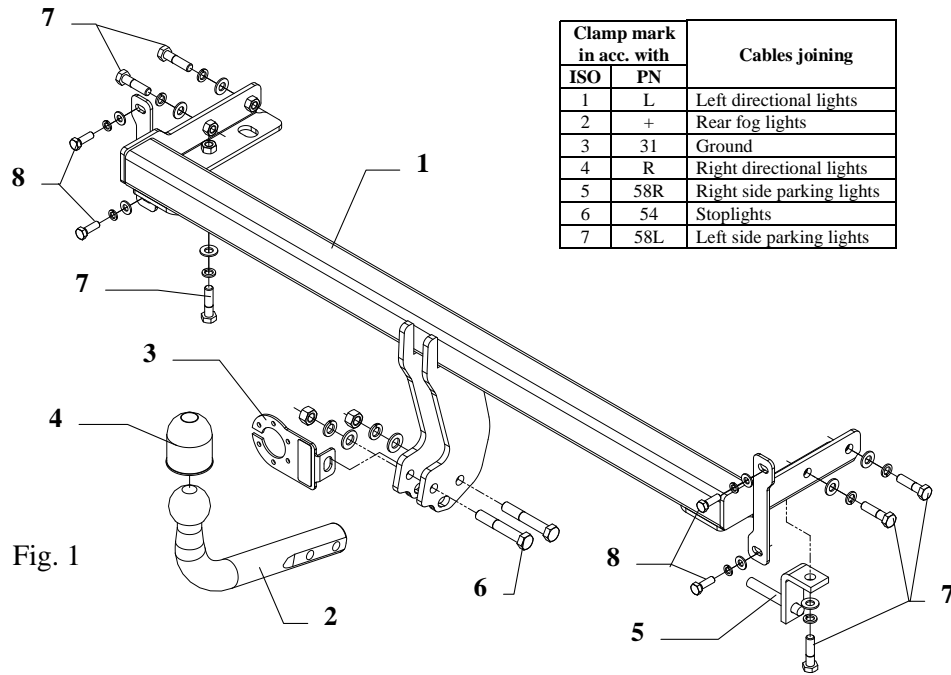


FITTING INSTRUCTION



Clamp mark in acc. with		Cables joining
ISO	PN	
1	L	Left directional lights
2	+	Rear fog lights
3	31	Ground
4	R	Right directional lights
5	58R	Right side parking lights
6	54	Stoplights
7	58L	Left side parking lights

Fig. 1

This towbar is designed to assembly in following car:
HYUNDAI ELANTRA 4/5 door (XD), catalogue no. **J49**, produced since 08.2000 till 2006 and is prepared to tow trailers max total weight **1400 kg** and max vertical load **65 kg**.

From manufacturer

Thank you for buying our product. Their reliability has been confirmed in many tests. Reliability of towbar depends also on correct assembly and right exploit. For this reasons we kindly ask to read carefully this instruction and apply to hints.

The towbar should be install in points described by a car producer.

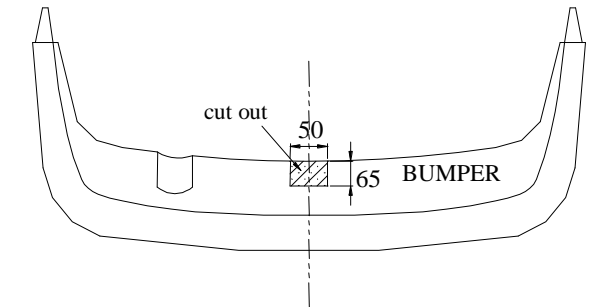
Torque settings for nuts and bolts (8,8):

M 8	25 Nm	M 10	55 Nm
M 12	85 Nm	M 14	135Nm

The instruction of the assembly

1. Disassemble rear lights. In the boot disassemble rear and side cover panels.
2. Disassemble bumper and rubber handle of muffler.
3. Unscrew bumper reinforcement. From reinforcement unscrew fasteners (not used any more).
4. Slip main bar of towbar (pos. 1) to chassis members in this way, so holes in towbar tally with original holes in chassis members and screw all using bolts M10x40mm (pos. 7), use plain and spring washers. On the right side place muffler handle (pos. 5), see fig. 1.
5. Make necessary modifications in the bumper and in his reinforcement. See fig. 2 and 3 and note.
6. Fix reinforcement with towbar using bolts M8x25mm (pos. 8) and original nuts.
7. Fix the bumper (with polystyrene filling).
8. Fix tow ball (pos. 2) and socket plate (pos. 3) using bolts M12x75mm (pos. 6) from accessories.
9. Tighten all bolts according to the torque shown in the table.
10. Connect electric wires of 7-poles socket according to the instruction of the car. (Recommend to make at authorized service station)
11. Complete paint layer damaged during installation.

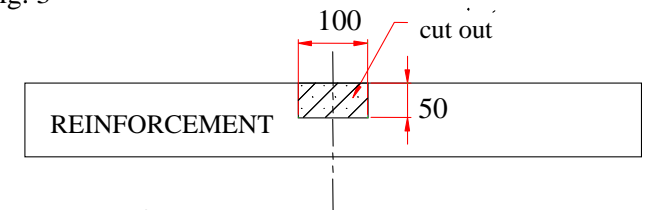
Fig. 2



NOTE!

In models produced since 2000 cuts can differ from showing.

Fig. 3



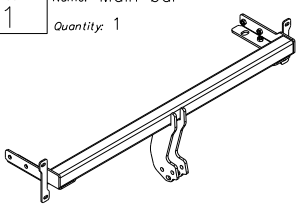

NOTE

After install the towbar you should get adequate note in registration book (at authorised service station).The car should be equipped with:

- Indicators
- Tow mirrors

After 1000km of exploitation check all bolts and nuts. The ball of towbar must be always kept clear and conserve with a grease.

Towbar accessories:

Pos. 1	Name: Main bar Quantity: 1	Pos. 6	Name: Bolt 8,8 B Quantity: 2 Dim.: M12x75mm	Pos. 12	Name: Plain washer Quantity: 4 Dim.: Ø 8,5 mm
		Pos. 7	Name: Bolt 8,8 B Quantity: 6 Dim.: M10x40mm	Pos. 13	Name: Spring washer Quantity: 2 Dim.: Ø 12,2 mm
		Pos. 8	Name: Bolt 8,8 B Quantity: 4 Dim.: M8x25mm	Pos. 14	Name: Spring washer Quantity: 6 Dim.: Ø 10,2 mm
Pos. 2	Name: Tow ball Quantity: 1	Pos. 9	Name: Nut 8 B Quantity: 2 Dim.: M12	Pos. 15	Name: Spring washer Quantity: 4 Dim.: Ø 8,2 mm
Pos. 3	Name: Socket plate Quantity: 1	Pos. 10	Name: Plain washer Quantity: 2 Dim.: Ø 13 mm		
Pos. 4	Name: Ball cover Quantity: 1	Pos. 11	Name: Plain washer Quantity: 6 Dim.: Ø 10,5 mm		
Pos. 5	Name: Muffler handle Quantity: 1 Dim.: 117x74x30				



PPUH AUTO-HAK S.J.

Produkcja Zaczepów Kulowych
Henryk i Zbigniew Nejman
76-200 SŁUPSK ul. Słoneczna 16K
tel/fax (059) 8-414-414; 8-414-413
E-mail: office@autohak.com.pl
www.autohak.com.pl

Towing hitch (without electrical set)

Class: **A50-X** Cat. no. **J49**

Designed for:

Manufacturer: **HYUNDAI**

Model: **ELANTRA**

Type: **4/5 door (XD)**

produced since 08.2000 till 2006

Approval number acc. to regulations EKG/ONZ 55.01: **E20-55R-01 1384**

Technical data:

D-value: 8,0 kN

maximum trailer weight: **1400 kg**

maximum vertical cup load: **65 kg**

Foreword

This towbar is design according to rules of safety traffic regulations. The towing hitch is a safety component and must be installed only by qualified personnel. Any alteration or conversion to the towing hitch is prohibited and would lead to cancellation of design certification. Remove insulating compound and underseal from vehicle (if present) in the area of the matting surfaces of the towing hitch. The vehicle manufacturer's specifications regarding trailer load and max. vertical cup load are decisive for driving, and values for the towing hitch cannot be exceeded.

D-value formula:

$$\frac{\text{Max trailer weight [kg]} \times \text{Max vehicle weight [kg]}}{\text{Max trailer weight [kg]} + \text{Max vehicle weight [kg]}} \times \frac{9,81}{1000} = D \text{ [kN]}$$