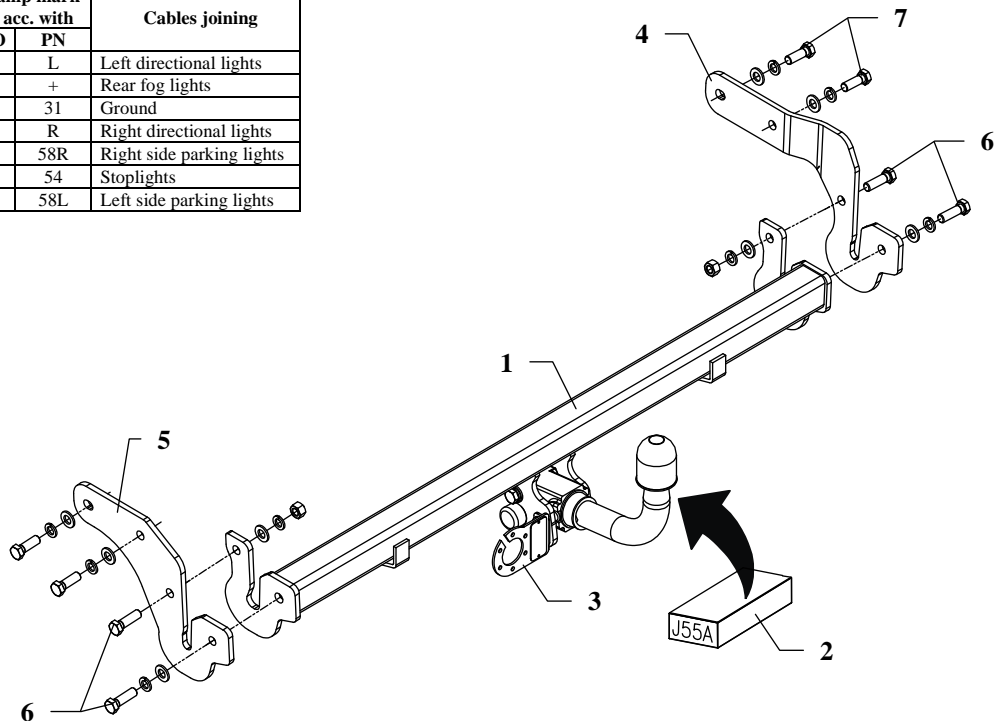


FITTING INSTRUCTION

Clamp mark in acc. with		Cables joining
ISO	PN	
1	L	Left directional lights
2	+	Rear fog lights
3	31	Ground
4	R	Right directional lights
5	58R	Right side parking lights
6	54	Stoplights
7	58L	Left side parking lights



This towing hitch is designed to assembly in following cars:
HYUNDAI MATRIX, VAN, produced since 08.2001 till 06.2010,
 catalogue no. **J55A** and is prepared to tow trailers max total weight **1300 kg**
 and max vertical mass **52 kg**.

From manufacturer

Thank you for buying our product. Their reliability has been confirmed in many tests. Reliability of towing hitch depends also on correct assembly and right operation. For this reasons we kindly ask to read carefully this instruction and apply to hints.

The towing hitch should be install in points described by a car producer.

The instruction of the assembly

1. For the purpose of installings of the towing hitch one ought to disassemble the bumper (be careful with the wiring for the rear mist lamp).
2. Disassemble brackets from the plastic fulfilment of the bumper (will not be assembled again).
3. Fix loosely side brackets (pos. 4 and 5) using bolts M12x1.25x35mm (pos. 7).
4. Fix the main bar of the towing hitch (pos. 1) to previously installed brackets (pos. 4 and 5) using bolts M12x40mm (pos. 6).
5. Install the bumper.
6. Fix body of the automat and place tow-ball according to supplied instruction. Note! Remember to place socket plate (pos. 3) as shown on the drawing 1.
7. Tighten all bolts according to the torque shown in the table.
8. Connect electric wires of 7-poles socket according to the instruction of the car. (Recommend to make at authorized service station).
9. Complete paint layer damaged during installation.

Torque settings for nuts and bolts (8,8):	
M 8 - 25 Nm	M 10 - 55 Nm
M 12 - 85 Nm	M 14 - 135 Nm

NOTE

After install the towing hitch you should get adequate note in registration book (at authorised service station). The car should be equipped with:

- Indicators
- Tow mirrors

After 1000km of exploitation check all bolts and nuts. The ball of towing hitch must be always kept clear and conserve with a grease.

Towing hitch accessories:

Pos. 1 Main bar PCS.: 1	Pos. 5 Left bracket PCS.: 1
Pos. 2 Tow ball PCS.: 1	Pos. 6 Bolt 8,8 B M12x40mm PCS.: 4
Pos. 3 Socket plate PCS.: 1	Pos. 7 Bolt 8,8 B M12x1.25x35mm PCS.: 4
Pos. 4 Right bracket PCS.: 1	Pos. 8 Nut 8 B M12 PCS.: 2
	Pos. 9 Plain washer ø12mm PCS.: 12
	Pos. 10 Spring washer ø12mm PCS.: 12



PPUH AUTO-HAK S.J.

Produkcja Zaczepów Kulowych
Henryk i Zbigniew Nejman
76-200 SŁUPSK ul. Słoneczna 16K
tel/fax (059) 8-414-414; 8-414-413
E-mail: office@autohak.com.pl
www.autohak.com.pl

Towing hitch (without electrical set)

Class: **A50-X** Cat. no. **J55A**

Designed for:

Manufacturer: **HYUNDAI**

Model: **MATRIX**

Type: **VAN**

produced since 08.2001 till 06.2010

Technical data:

D-value: 7,6 kN

maximum trailer weight: **1300 kg**

maximum vertical cup mass: **52 kg**

Approval number according to Directive 94/20/EC: e20*94/20*0589*00

Foreword

This towing hitch is designed according to rules of safety traffic regulations. The towing hitch is a safety component and can be install only by qualified personnel. Any alteration or conversion of the towing hitch is prohibited and would lead to cancellation of design certification. Remove insulating compound and underseal from vehicle (if present) in the area of the matting surfaces of the towing hitch. The vehicle manufacturer's specifications regarding trailer load and max. vertical cup load are decisive for driving whereat values for the towing hitch cannot be exceeded.

D-value formula:

$$\frac{\text{Max trailer weight [kg]} \times \text{Max vehicle weight [kg]}}{\text{Max trailer weight [kg]} + \text{Max vehicle weight [kg]}} \times \frac{9,81}{1000} = D \text{ [kN]}$$