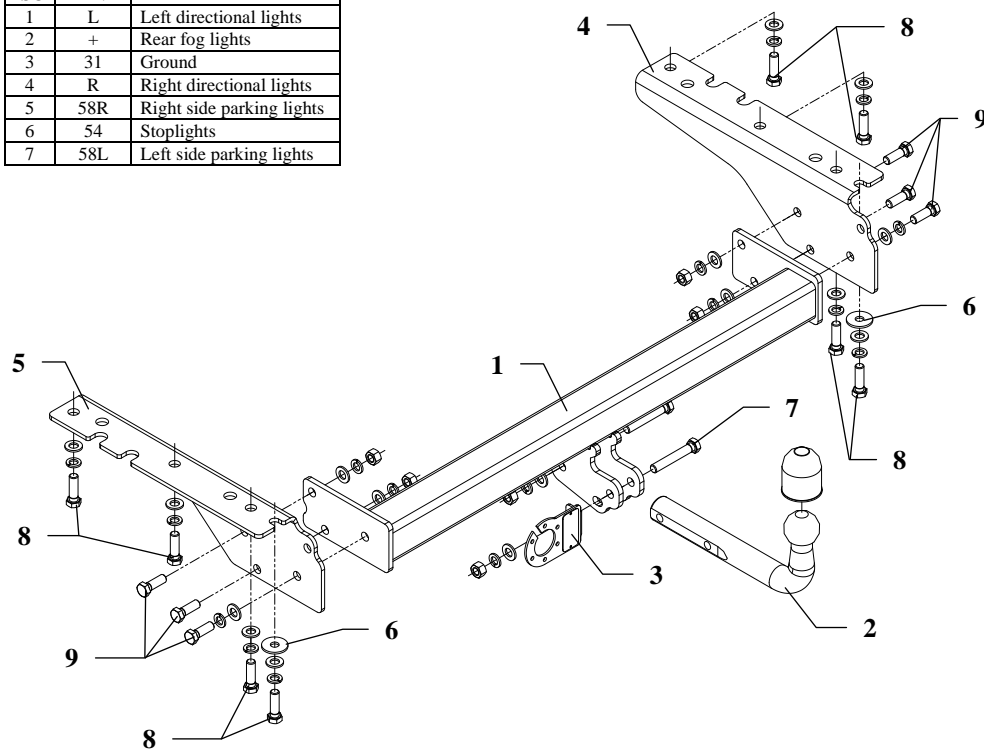


## FITTING INSTRUCTION

Clamp mark in acc. with		Cables joining
ISO	PN	
1	L	Left directional lights
2	+	Rear fog lights
3	31	Ground
4	R	Right directional lights
5	58R	Right side parking lights
6	54	Stoplights
7	58L	Left side parking lights



This towing hitch is designed to assembly in following cars:  
**JEEP CHEROKEE (XJ/J)**, produced since 04.1997 till 08.2001, catalogue no. **JP01** and is prepared to tow trailers max total weight up to **3300 kg** and max vertical load **100 kg**.

### *From manufacturer*

Thank you for buying our product. Their reliability has been confirmed in many tests. Reliability of towing hitch depends also on correct assembly and right operation. For this reasons we kindly ask to read carefully this instruction and apply to hints.

*The towing hitch should be install in points described by a car producer.*

## The instruction of the assembly

1. Disassemble a factory towing eye from the left chassis member (will not be assembled again).
2. Disassemble a back handle of the muffler.
3. Apply the bracket (pos. 5) to the left chassis member and the bracket (pos. 4) to the right chassis member into such way that thier holes be covered with factory threaded holes and fix using bolts M12x40mm (pos. 8) – loosely, together with handle of the muffler.
4. Between previously screwed elements of the towing hitch (pos. 4 and 5) slip the main bar of the towing hitch (pos. 1) and fix using bolts M12x35mm (pos. 9).
5. Fix tow-ball (pos. 2) with socket plate (pos. 3) using bolts M12x75mm (pos. 7) from accessories.
6. Tighten all bolts according to the torque shown in the table.
7. Connect electric wires of 7-poles socket according to the instruction of the car. (Recommend to make at authorized service station).
8. Complete paint layer damaged during installation.

Torque settings for nuts and bolts (8,8):	
<b>M 8</b> - 25 Nm	<b>M 10</b> - 55 Nm
<b>M 12</b> - 85 Nm	<b>M 14</b> - 135 Nm

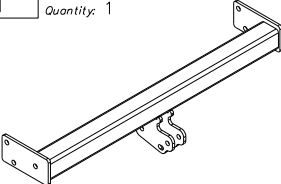
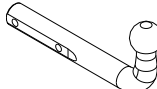
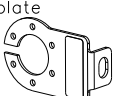
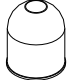
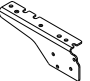
## NOTE

After install the towing hitch you should get adequate note in registration book (at authorised service station).The car should be equipped with:

- Indicators
- Tow mirrors

After 1000km check all bolts and nuts. The ball of towing hitch must be always kept clear and conserve with a grease.

## Towing hitch accessories:

Pos. 1 Name: Main bar Quantity: 1	Pos. 5 Name: Left bracket Quantity: 1	Pos. 10 Name: Nut 8 B Quantity: 6 Dim.: M12
	Pos. 6 Name: Washer Quantity: 2 Dim.: Ø36xØ12x3mm	Pos. 11 Name: Plain washer Quantity: 16 Dim.: Ø 13 mm
Pos. 2 Name: Tow ball Quantity: 1	Pos. 7 Name: Bolt 8,8 B Quantity: 2 Dim.: M12x75mm	Pos. 12 Name: Spring washer Quantity: 16 Dim.: Ø 12,2 mm
	Pos. 8 Name: Bolt 8,8 B Quantity: 8 Dim.: M12x40mm	Pos. 13 Name: Ball cover Quantity: 1
Pos. 3 Name: Socket plate Quantity: 1		
Pos. 4 Name: Right bracket Quantity: 1	Pos. 9 Name: Bolt 8,8 B Quantity: 6 Dim.: M12x35mm	



**PPUH AUTO-HAK S.J.**

Produkcja Zaczepów Kulowych  
Henryk i Zbigniew Nejman  
76-200 SŁUPSK ul. Słoneczna 16K  
tel/fax (059) 8-414-414; 8-414-413  
E-mail: [office@autohak.com.pl](mailto:office@autohak.com.pl)  
[www.autohak.com.pl](http://www.autohak.com.pl)

## Towing hitch (without electrical set)

Class: **A50-X** Cat. no. **JP01**

Designed for:

Manufacturer: **JEEP**

Model: **CHEROKEE (XJ/J)**

produced since 04.1997 till 08.2001

Technical data:

**D-value: 13,0 kN**

maximum trailer weight: **3300 kg**

maximum vertical cup load: **100 kg**

**Approval number according to Directive 94/20/EC: e20\*94/20\*0323\*00**

## Foreword

This towing hitch is designed according to rules of safety traffic regulations. The towing hitch is a safety component and can be install only by qualified personnel. Any alteration or conversion of the towing hitch is prohibited and would lead to cancellation of design certification. Remove insulating compound and underseal from vehicle (if present) in the area of the matting surfaces of the towing hitch. The vehicle manufacturer's specifications regarding trailer load and max. vertical cup load are decisive for driving whereat values for the towing hitch cannot be exceeded.

*D-value formula:*

$$\frac{\text{Max trailer weight [kg]} \times \text{Max vehicle weight [kg]}}{\text{Max trailer weight [kg]} + \text{Max vehicle weight [kg]}} \times \frac{9,81}{1000} = D \text{ [kN]}$$