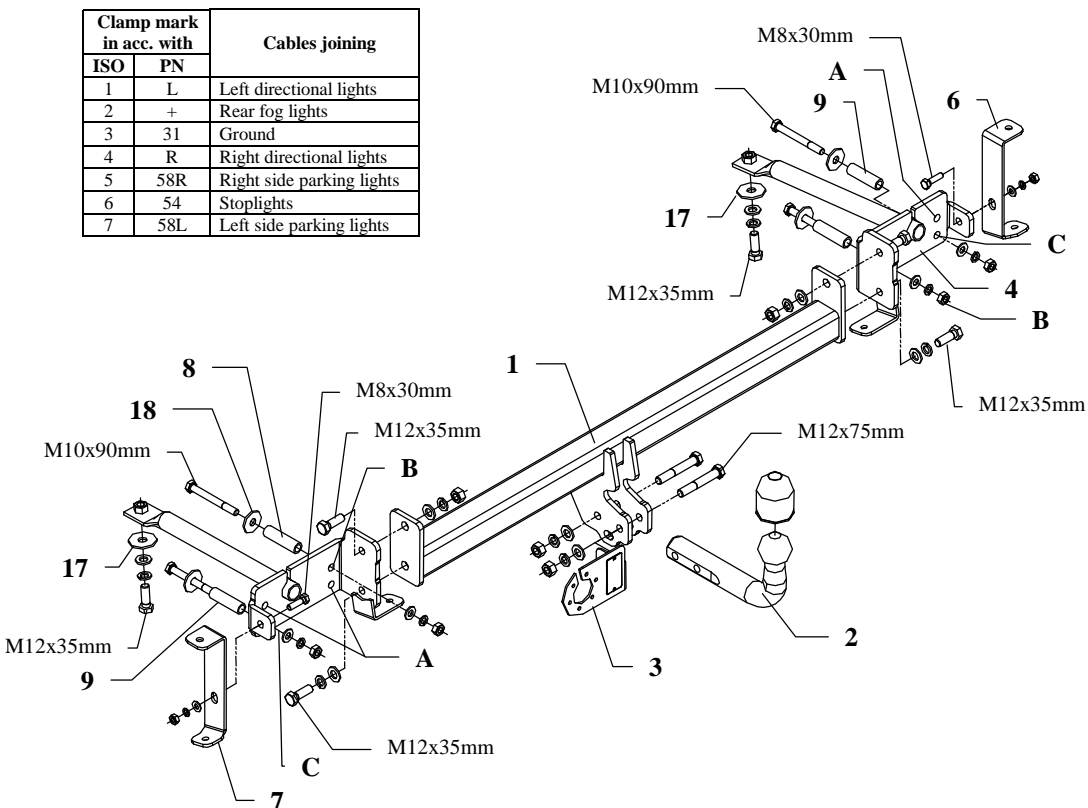


FITTING INSTRUCTION

Clamp mark in acc. with		Cables joining
ISO	PN	
1	L	Left directional lights
2	+	Rear fog lights
3	31	Ground
4	R	Right directional lights
5	58R	Right side parking lights
6	54	Stoptights
7	58L	Left side parking lights



This towbar is designed to assembly in following cars:

MAZDA 626 Estate, produced since 1988 till 1996, catalogue number **M47** and is prepared to tow trailers max total weight **1300 kg** and max vertical load **75 kg**.

From manufacturer

Thank you for buying our product. Their reliability has been confirmed in many tests. Reliability of towbar depends also on correct assembly and right operation. For this reasons we kindly ask to read carefully this instruction and apply to hints.

The towbar should be install in points described by a car producer.

The instruction of the assembly

1. Disassemble the rear bumper, next unscrew metal handles (not used any more).
2. From rear part of the body remove rubber dummies.
3. Drill holes $\phi 50\text{mm}$ in rear wall of chassis members to make it open.
4. To drilled holes put side brackets (pos. 4 and 5) and fix it through holes A using bolts and nuts remained after bumper disassembly.
5. Through holes B and C drill straight using bit $\phi 1\text{mm}$.
6. Hole B enlarge only from inside using bit $\phi 17\text{mm}$. Next put distance sleeves $\phi 17\text{mm}$, $L=62\text{mm}$ (pos. 8).
7. Disassemble brackets 4 and 5, put distance sleeves $\phi 17\text{mm}$, $L=58\text{mm}$ (pos. 8) in hole C.
8. Reassemble brackets 4 and 5 again. Fix as shown in the figure.
9. Between installed side brackets put main bar of the towbar (pos. 1) and fix all using bolts M12x35mm (pos. 11).
10. To the bumper fix side handles (pos. 6 and 7) using bolts remained after original handles disassembly.
11. Bumper with handles put to the car and join with the towbar as shown in the figure.
12. Fix tight all bolts according to the torque shown in the table.
13. Fix tow-ball (pos. 2) and socket plate (pos. 3) by bolts M12x75mm (pos. 10) from equipment.
14. Connect electric wires of 7-poles socket according to the instruction of the car. (Recommend to make at authorized service station)
15. Complete paint layer damaged during installation.

Torque settings for nuts and bolts (8,8):

M 8 - 25 Nm **M 10** - 55 Nm

M 12 - 85 Nm **M 14** - 135 Nm

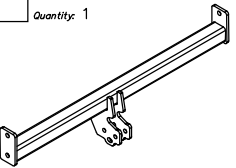
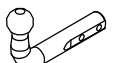
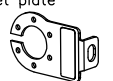
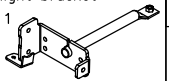
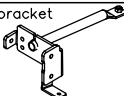


NOTE

After install the towbar you should get adequate note in registration book (at authorised service station).The car should be equipped with:

- Indicators
- Tow mirrors

After 1000km check all bolts and nuts. The ball of towbar must be always kept clear and conserve with a grease.

Towbar equipment:

Pos. 1 Name: Main bar Quantity: 1	Pos. 6 Name: Right handle Quantity: 1	Pos. 12 Name: Bolt 8,8 B Quantity: 4 Dim.: M10x90mm	Pos. 19 Name: Plain washer Quantity: 8 Dim.: ϕ 13 mm
	Pos. 7 Name: Left handle Quantity: 1	Pos. 13 Name: Bolt 8,8 B Quantity: 2 Dim.: M8x30mm	Pos. 20 Name: Plain washer Quantity: 4 Dim.: ϕ 10,5 mm
Pos. 2 Name: Tow ball Quantity: 1	Pos. 8 Name: Distance sleeve I Quantity: 2 Dim.: ϕ 17x2mm L=62mm	Pos. 14 Name: Nut 8 B Quantity: 4 Dim.: M12	Pos. 21 Name: Plain washer Quantity: 2 Dim.: ϕ 8,5 mm
	Pos. 9 Name: Distance sleeve II Quantity: 2 Dim.: ϕ 17x2mm L=58mm	Pos. 15 Name: Nut 8 B Quantity: 4 Dim.: M10	Pos. 22 Name: Spring washer Quantity: 8 Dim.: ϕ 12,2 mm
Pos. 3 Name: Socket plate Quantity: 1		Pos. 16 Name: Nut 8 B Quantity: 2 Dim.: M8	Pos. 23 Name: Spring washer Quantity: 4 Dim.: ϕ 10,2 mm
Pos. 4 Name: Right bracket Quantity: 1	Pos. 10 Name: Bolt 8,8 B Quantity: 2 Dim.: M12x75mm	Pos. 17 Name: Special washer Quantity: 2 Dim.: ϕ 42x ϕ 13x3mm	Pos. 24 Name: Spring washer Quantity: 2 Dim.: ϕ 8,2 mm
	Pos. 11 Name: Bolt 8,8 B Quantity: 6 Dim.: M12x35mm	Pos. 18 Name: Special washer Quantity: 4 Dim.: ϕ 35x ϕ 12x3mm	Pos. 25 Name: Ball cover Quantity: 1
Pos. 5 Name: Left bracket Quantity: 1			



PPUH AUTO-HAK S.J.

Produkcja Haków Holowniczych
Henryk & Zbigniew Nejman
76-200 SŁUPSK ul. Słoneczna 16K
tel/fax (059) 8-414-414; 8-414-413
E-mail: office@autohak.com.pl
www.autohak.com.pl

Towing hitch (without electrical set)

Class: **A50-X** Cat. no. **M47**

Designed for:

Manufacturer: **MAZDA**

Model: **626**

Type: **ESTATE**

produced since 1988 till 1996

Technical data:

D-value: 8,7 kN

maximum trailer weight: **1300 kg**

maximum vertical cup load: **75 kg**

Approval number according to Directive 94/20/EC: **e20*94/20*1169*00**

Foreword

This towbar is designed according to rules of safety traffic regulations. The towing hitch is a safety component and can be install only by qualified personnel. Any alteration or conversion of the towing hitch is prohibited and would lead to cancellation of design certification. Remove insulating compound and underseal from vehicle (if present) in the area of the matting surfaces of the towing hitch.

The vehicle manufacturer's specifications regarding trailer load and max. vertical cup load are decisive for driving whereat values for the towing hitch cannot be exceeded.

D-value formula:

$$\frac{\text{Max trailer weight [kg]} \times \text{Max vehicle weight [kg]}}{\text{Max trailer weight [kg]} + \text{Max vehicle weight [kg]}} \times \frac{9,81}{1000} = D \text{ [kN]}$$