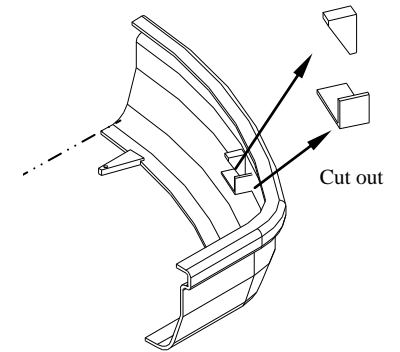
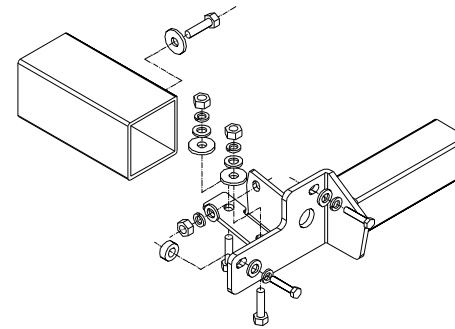
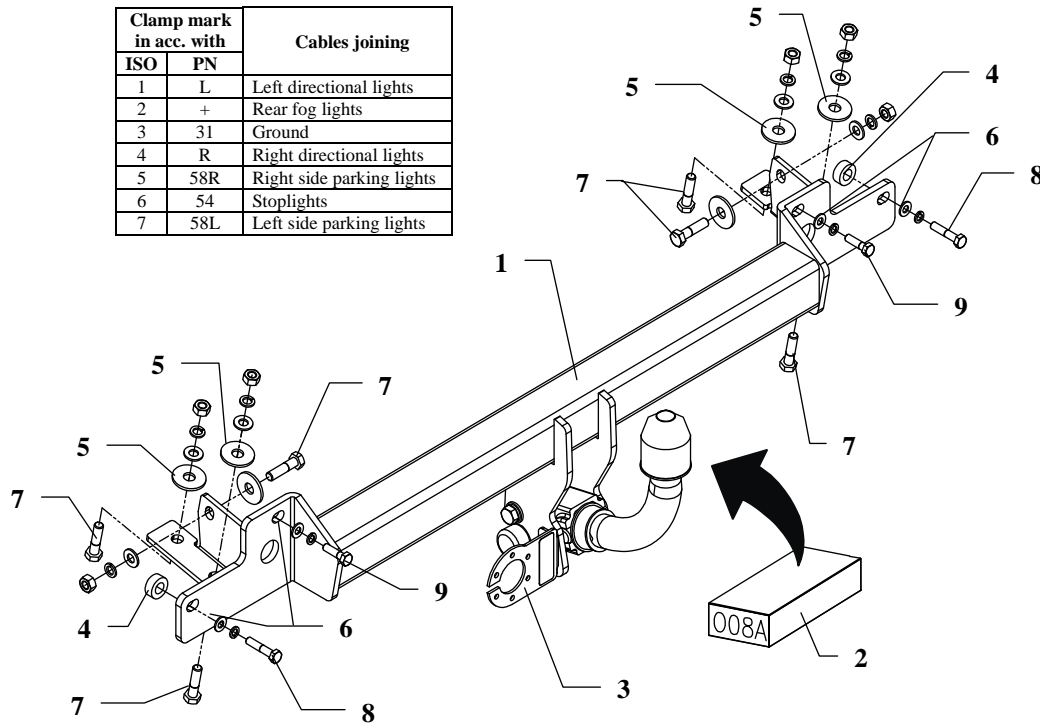


## FITTING INSTRUCTION

Clamp mark in acc. with		Cables joining
ISO	PN	
1	L	Left directional lights
2	+	Rear fog lights
3	31	Ground
4	R	Right directional lights
5	58R	Right side parking lights
6	54	Stoplights
7	58L	Left side parking lights



Dwg. 2 Bumpers – cut outs

5. Mount the bumper after cut out his fragments see dwg. no. 2.
6. Fix body of the automat and place tow-ball according to supplied instruction. Note! Remember to place socket plate (pos. 3) as shown on the drawing 1.
7. Tighten all bolts according to the torque shown in the table.
8. Connect electric wires of 7-poles socket according to the instruction of the car. (Recommend to make at authorized service station)
9. Complete paint layer damaged during installation.

This towbar is designed to assembly in following cars:  
**TOYOTA COROLLA 4-5 door (E 11)** produced since 06.1997 till 12.2001, catalogue no. **O08A** and is prepared to tow trailers max total weight **1200 kg** and max vertical load **75 kg**.

*The towbar should be install in points described by a car producer.*

### Fitting instructions

1. Disassemble the rear bumper.
2. Unscrew original tow eyes (will be not used any more)
3. Unscrew metal covers of chassis members (will not used any more)
4. Slip main bar of the towbar (pos. 1) to chassis members and fix it by bolts from towbar accessories according to drawing.

### Torque settings for nuts and bolts (8,8):

<b>M6</b> - 11 Nm	<b>M8</b> - 25 Nm	<b>M10</b> - 50 Nm
<b>M12</b> - 87 Nm	<b>M14</b> - 138 Nm	<b>M16</b> - 210 Nm

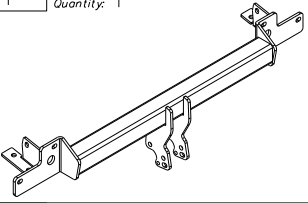
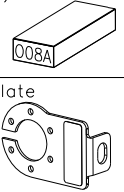
### NOTE

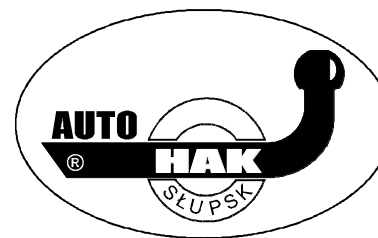
After install the towbar you should get adequate note in registration book (at authorised service station).The car should be equipped with:

- Indicators
- Tow mirrors

After 1000km of exploitation check all bolts and nuts. The ball of towbar must be always kept clear and conserve with a grease.

## Towbar accessories:

Pos. 1	Name: Main bar Quantity: 1	Pos. 4	Name: Distance sleeve Quantity: 2 Dim.: $\varnothing 25 \times \varnothing 13 \times 10 \text{ mm}$	Pos. 9	Name: Bolt 8,8 B Quantity: 2 Dim.: M8x30mm
		Pos. 5	Name: Washer Quantity: 6 Dim.: $\varnothing 37 \times \varnothing 13 \times 3 \text{ mm}$	Pos. 10	Name: Nut 8 B Quantity: 6 Dim.: M10
		Pos. 2	Name: Tow ball (mounting set) SZTUK:1	Pos. 6	Name: Washer Quantity: 4 Dim.: $\varnothing 24 \times \varnothing 8,4 \times 2 \text{ mm}$
Pos. 3	Name: Socket plate Quantity: 1	Pos. 7	Name: Bolt 8,8 B Quantity: 6 Dim.: M10x40mm	Pos. 12	Name: Spring washer Quantity: 6 Dim.: $\varnothing 10,2 \text{ mm}$
		Pos. 8	Name: Bolt 8,8 B Quantity: 2 Dim.: M8x40mm	Pos. 13	Name: Spring washer Quantity: 4 Dim.: $\varnothing 8,2 \text{ mm}$
				Pos. 11	Name: Plain washer Quantity: 6 Dim.: $\varnothing 10,5 \text{ mm}$



**PPUH AUTO-HAK Sp.J.**

Produkcja Zaczepów Kulowych  
Henryk & Zbigniew Nejman  
76-200 SŁUPSK ul. Słoneczna 16K  
tel/fax (059) 8-414-414; 8-414-413  
e-mail: [office@autohak.com.pl](mailto:office@autohak.com.pl)  
[www.autohak.com.pl](http://www.autohak.com.pl)

## Towing hitch (without electrical set)

Class: **A50-X** Cat. no. **O08A**

Designed for:

Manufacturer: **TOYOTA**

Model: **COROLLA 4-5 doors**

Type: **E11**

produced since 06.1997 till 12.2001

Technical data:

**D-value: 7,1 kN**

maximum trailer weight: **1200 kg**

maximum vertical cup load: **75 kg**

Approval number according to Directive 94/20/EC: **e20\*94/20\*0243\*00**

## Foreword

This towbar is design according to rules of safety traffic regulations. The towing hitch is a safety component and must be installed only by qualified personnel. Any alteration or conversion to the towing hitch is prohibited and would lead to cancellation of design certification. Remove insulating compound and underseal from vehicle (if present) in the area of the matting surfaces of the towing hitch. The vehicle manufacturer's specifications regarding trailer load and max. vertical cup load are decisive for driving, and values for the towing hitch cannot be exceeded.

*D-value formula:*

$$\frac{\text{Max trailer weight [kg]} \times \text{Max vehicle weight [kg]}}{\text{Max trailer weight [kg]} + \text{Max vehicle weight [kg]}} \times \frac{9,81}{1000} = D \text{ [kN]}$$