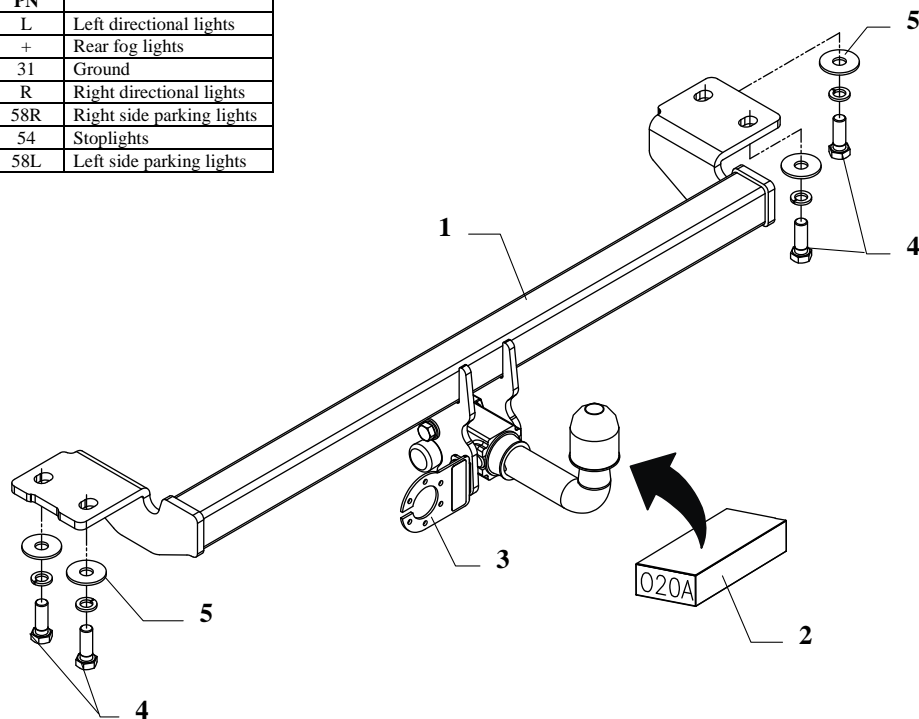


## FITTING INSTRUCTION

Clamp mark in acc. with		Cables joining
ISO	PN	
1	L	Left directional lights
2	+	Rear fog lights
3	31	Ground
4	R	Right directional lights
5	58R	Right side parking lights
6	54	Stoplights
7	58L	Left side parking lights



This towbar is designed to assembly in following cars:  
**TOYOTA AVENSIS ESTATE**, produced since 02.1998 till 03.2003,  
 catalogue no. **O20A** and is prepared to tow trailers max total weight **1575kg**  
 and max vertical mass **75kg**.

### *From manufacturer*

Thank you for buying our product. Their reliability has been confirmed in many tests. Reliability of towbar depends also on correct assembly and right operation. For this reasons we kindly ask to read carefully this instruction and apply to hints.

*The towbar should be installing in points described by a car producer.*

## The instruction of the assembly

1. Disassemble bumper.
2. Disassemble original tow eyes (not used any more).
3. Put main bar of towbar (pos. 1) to chassis and screw it in points remaining after disassembled tow eyes, use bolts M14x1.5x40mm (pos. 4) and washers (pos. 5 and 6).
4. Assemble bumper after cut his fragment (use enclosed template).
5. Fix body of the automat and place tow-ball according to supplied instruction. Note! Remember to place socket plate (pos. 3) as shown on the drawing 1.
6. Connect electric wires of 7-poles socket according to the instruction of the car. (Recommend to make at authorized service station).
7. Complete paint layer damaged during installation.

Torque settings for nuts and bolts (8,8):

<b>M6</b> - 11 Nm	<b>M8</b> - 25 Nm	<b>M10</b> - 50 Nm
<b>M12</b> - 87 Nm	<b>M14</b> - 138 Nm	<b>M16</b> - 210 Nm

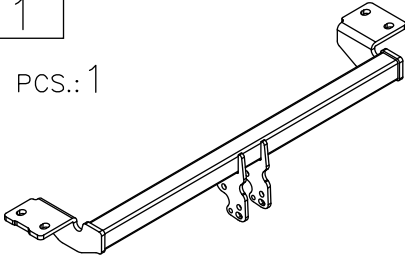
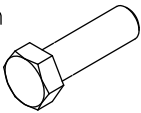

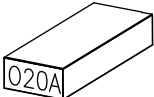

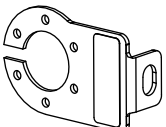
### NOTE

After install the towbar you should get adequate note in registration book (at authorised service station).The car should be equipped with:

- Indicators
- Tow mirrors

After 1000km of exploitation check all bolts and nuts. The ball of towbar must be always kept clear and conserve with a grease.

Towbar accessories:

Pos. 1	Main bar	Pos. 4	Bolt 8,8 B M14x1,5x40mm
PCS.: 1		PCS.: 4	
			
		Pos. 5	Plain washer ø44xø15x3mm
		PCS.: 4	
			
Pos. 2	Tow ball (mounting set)	Pos. 6	Spring washer ø14,2mm
PCS.: 1		PCS.: 4	
			
Pos. 3	Socket plate		
PCS.: 1			
			



**PPUH AUTO-HAK Sp.J.**

Produkcja Zaczepów Kulowych  
Henryk & Zbigniew Nejman  
76-200 SŁUPSK ul. Słoneczna 16K  
tel/fax (059) 8-414-414; 8-414-413  
E-mail: [office@autohak.com.pl](mailto:office@autohak.com.pl)  
[www.autohak.com.pl](http://www.autohak.com.pl)

**Towing hitch (without electrical set)**

Class: **A50-X** Cat. no. **O20A**  
Designed for:  
Manufacturer: **TOYOTA**  
Model: **AVENSIS**  
Type: **ESTATE**  
produced since 02.1998 till 03.2003

Technical data:  
**D-value: 8,3 kN**  
maximum trailer weight: **1575 kg**  
maximum vertical cup mass: **75 kg**

**Approval number according to Directive 94/20/EC: e20\*94/20\*1062\*00**

**Foreword**

This towbar is designed according to rules of safety traffic regulations. The towing hitch is a safety component and can be install only by qualified personnel. Any alteration or conversion of the towing hitch is prohibited and would lead to cancellation of design certification. Remove insulating compound and underseal from vehicle (if present) in the area of the matting surfaces of the towing hitch. The vehicle manufacturer's specifications regarding trailer load and max. vertical cup load are decisive for driving, and values for the towing hitch cannot be exceeded.

*D-value formula:*

$$\frac{\text{Max trailer weight [kg]} \times \text{Max vehicle weight [kg]}}{\text{Max trailer weight [kg]} + \text{Max vehicle weight [kg]}} \times \frac{9,81}{1000} = D \text{ [kN]}$$