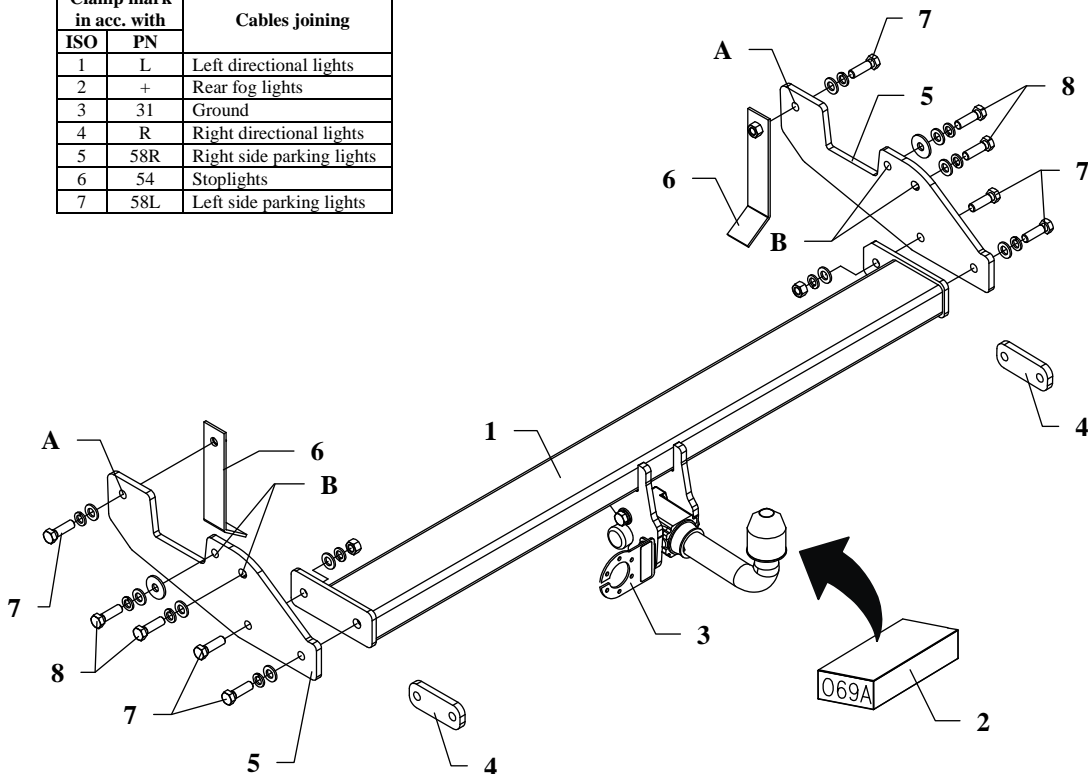


## FITTING INSTRUCTION

Clamp mark in acc. with		Cables joining
ISO	PN	
1	L	Left directional lights
2	+	Rear fog lights
3	31	Ground
4	R	Right directional lights
5	58R	Right side parking lights
6	54	Stoplights
7	58L	Left side parking lights



This towing hitch is designed to assembly in following cars:  
**TOYOTA HILUX 2WD, small wheels**, produced since 2005, catalogue no. **069A** and is prepared to tow trailers max total weight **2500 kg** and max vertical mass **100 kg**.

### *From manufacturer*

Thank you for buying our product. Their reliability has been confirmed in many tests. Reliability of towing hitch depends also on correct assembly and right operation. For this reasons we kindly ask to read carefully this instruction and apply to hints.

*The towing hitch should be install in points described by a car producer.*

## The instruction of the assembly

1. Disassemble a bumper together with handles.
2. From bumper disassemble the handles and put distance plates (pos. 4) under. Reassemble.
3. To outside of the chassis frame fix loosely side brackets (pos. 5) through hole A using bolts M12x40mm (pos. 7). Use nut on jib (pos. 6). Through hole B fix using bolts M12x1,25x40mm (pos. 8).
4. Reassemble bumper loosely.
5. Between installed brackets (pos. 5) put main bar of the towing hitch (pos. 1) and fix using bolts M12x40mm (pos. 7).
6. Fix body of the automat and place tow-ball according to supplied instruction. Note! Remember to place socket plate (pos. 3) as shown on the drawing 1.
7. Tighten all bolts according to the torque shown in the table.
8. Connect electric wires of 7-poles socket according to the instruction of the car. (Recommend to make at authorized service station).
9. Complete paint layer damaged during installation.

Torque settings for nuts and bolts (8,8):	
<b>M 8</b> - 25 Nm	<b>M 10</b> - 55 Nm
<b>M 12</b> - 85 Nm	<b>M 14</b> - 135 Nm

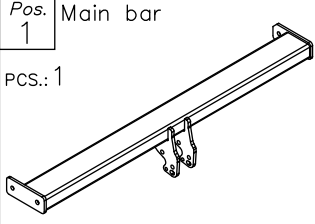
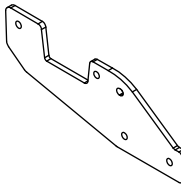

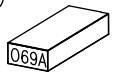
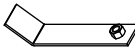

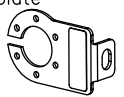
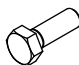

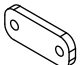
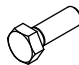

### NOTE

After install the towing hitch you should get adequate note in registration book (at authorised service station). The car should be equipped with:

- Indicators
- Tow mirrors

After 1000km check all bolts and nuts. The ball of towing hitch must be always kept clear and conserve with a grease.

## Towing hitch accessories:

Pos. 1 PCS.: 1	Main bar 	Pos. 5 PCS.: 2	Name: Side bracket 	Pos. 9 PCS.: 2 Dim. : M12	Name: Nut 8 B 
Poz. 2 PCS.:1	Tow ball (mounting set) 	Pos. 6 PCS.: 2	Name: Nut on jib 	Pos. 10 PCS.: 2 Dim. : Ø37xØ13x3mm	Name: Washer 
Pos. 3 PCS.:1	Name: Socket plate 	Pos. 7 PCS.: 6 Dim. : M12x40mm	Name: Bolt 8,8 B 	Pos. 11 PCS.:10 Dim. : Ø 13 mm	Name: Plain washer 
Pos. 4 PCS.:2	Name: Distance plate 	Pos. 8 PCS.: 4 Dim. : M12x1,25x40mm	Name: Bolt 8,8 B 	Pos. 12 PCS.:10 Dim. : Ø 12,2 mm	Name: Spring washer 



## PPUH AUTO-HAK S.J.

Produkcja Zaczepów Kulowych  
Henryk & Zbigniew Nejman  
76-200 SŁUPSK ul. Słoneczna 16K  
tel/fax (059) 8-414-414; 8-414-413  
E-mail: [office@autohak.com.pl](mailto:office@autohak.com.pl)  
[www.autohak.com.pl](http://www.autohak.com.pl)

## Towing hitch (without electrical set)

Class: **A50-X** Cat. no. **O69A**

Designed for:

Manufacturer: **TOYOTA**

Model: **HILUX**

Type: **2WD (small wheels)**

produced since 2005

Technical data:

**D-value: 12,86 kN**

maximum trailer weight: **2500 kg**

maximum vertical cup mass: **100 kg**

**Approval number according to Directive 94/20/EC: e20\*94/20\*0526\*00**

## Foreword

This towing hitch is designed according to rules of safety traffic regulations. The towing hitch is a safety component and can be install only by qualified personnel. Any alteration or conversion of the towing hitch is prohibited and would lead to cancellation of design certification. Remove insulating compound and underseal from vehicle (if present) in the area of the matting surfaces of the towing hitch. The vehicle manufacturer's specifications regarding trailer mass and max. vertical cup mass are decisive for driving whereat values for the towing hitch cannot be exceeded.

*D-value formula:*

$$\frac{\text{Max trailer weight [kg]} \times \text{Max vehicle weight [kg]}}{\text{Max trailer weight [kg]} + \text{Max vehicle weight [kg]}} \times \frac{9,81}{1000} = D \text{ [kN]}$$