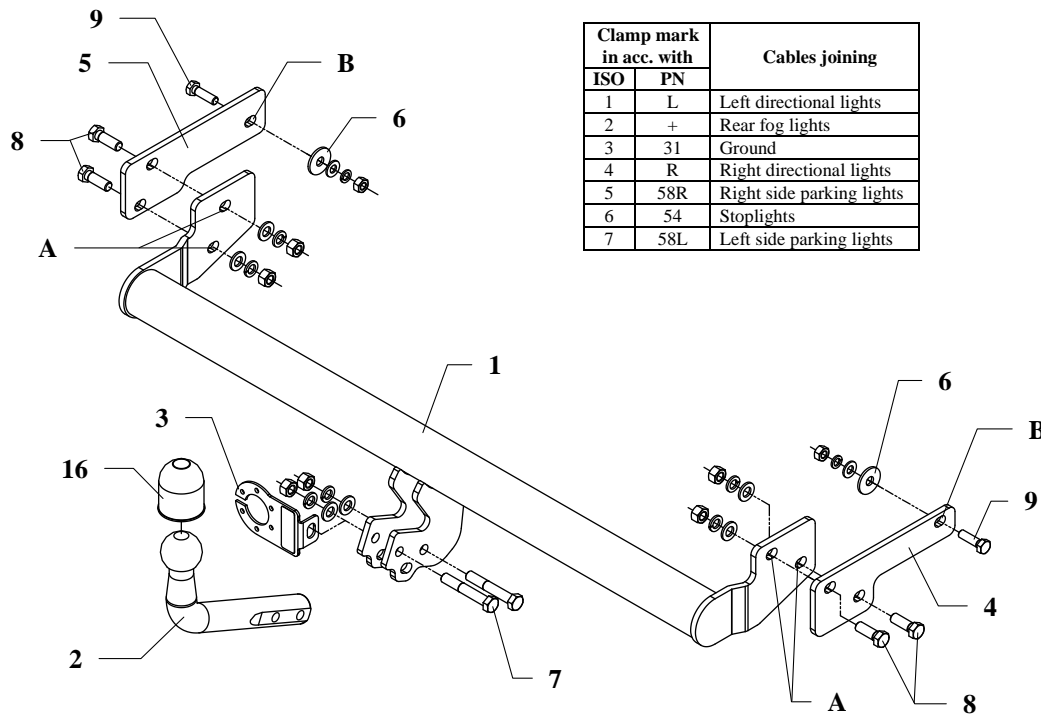


FITTING INSTRUCTION



Clamp mark in acc. with		Cables joining
ISO	PN	
1	L	Left directional lights
2	+	Rear fog lights
3	31	Ground
4	R	Right directional lights
5	58R	Right side parking lights
6	54	Stoplights
7	58L	Left side parking lights

This towbar is designed to assembly in following car:
CITROEN ZX 3/5 DOORS (N2), produced since 03.1991 till 06.1997,
 catalogue number **P 03**, and is prepared to tow trailers max total weight
1100 kg and max vertical load **70 kg**.

From manufacturer

Thank you for buying our product. Their reliability has been confirmed in many tests. Reliability of towbar depends also on correct assembly and right operation. For this reasons we kindly ask to read carefully this instruction and apply to hints.

The towbar should be install in points described by a car producer.

Fitting instructions

1. Get lower the wheel cover and take out the spare wheel.
2. Between original tow handles put side brackets pos. 4 and 5 and main bar of the towbar (pos. 1) and next through existing holes and holes pos. A fix all using bolts M12x35mm (pos. 8).
3. Through holes (pos. B) drill the car construction using bit $\varnothing 11\text{mm}$, next fix with bolts M10x35mm pos. 9 (use big washers – pos. 6).
4. Fix tow-ball (pos. 2) and socket plate (pos. 3) using bolts M12x75mm (pos. 7) from accessories.
5. Tighten all bolts according to the torque shown in the table.
6. Connect electric wires according to the instruction of the car. (Recommend to make at authorized service station)
7. Supplement the paint coating damaged during assembly.

Torque settings for nuts and bolts (8,8):

M 8	25 Nm	M 10	55 Nm
M 12	85 Nm	M 14	135Nm

NOTE

After install the towbar you should get adequate registration in registration book (at authorised service station).The car should be equipment with:

- Indicators
- Tow mirrors

After 1000km check all bolts and nuts. The ball of towbar must be always kept clear and conserve with a grease.

Towbar accessories:

Pos. 1	Name: Main bar Quantity: 1	Pos. 6	Name: Washer Quantity: 2 Dim.: $\emptyset 35 \times \emptyset 12 \times 3 \text{ mm}$	Pos. 12	Name: Plain washer Quantity: 6 Dim.: $\emptyset 13 \text{ mm}$
Pos. 2	Name: Tow ball Quantity: 1	Pos. 7	Name: Bolt 8,8 B Quantity: 2 Dim.: M12x75mm	Pos. 13	Name: Plain washer Quantity: 2 Dim.: $\emptyset 10,5 \text{ mm}$
		Pos. 8	Name: Bolt 8,8 B Quantity: 4 Dim.: M12x35mm	Pos. 14	Name: Spring washer Quantity: 6 Dim.: $\emptyset 12,2 \text{ mm}$
Pos. 3	Name: Socket plate Quantity: 1	Pos. 9	Name: Bolt 8,8 B Quantity: 2 Dim.: M10x35mm	Pos. 15	Name: Spring washer Quantity: 2 Dim.: $\emptyset 10,2 \text{ mm}$
Pos. 4	Name: Right bracket Quantity: 1	Pos. 10	Name: Nut 8 B Quantity: 6 Dim.: M12	Pos. 16	Name: Ball cover Quantity: 1
Pos. 5	Name: Left bracket Quantity: 1	Pos. 11	Name: Nut 8 B Quantity: 2 Dim.: M10		



PPUH AUTO-HAK S.J.

Produkcja Haków Holowniczych
Henryk & Zbigniew Nejman
76-200 SŁUPSK ul. Słoneczna 16K
tel/fax (059) 8-414-414; 8-414-413
E-mail: office@autohak.com.pl
www.autohak.com.pl

Towing hitch (without electrical set)

Class: **A50-X** Cat. no. **P03**

Designed for:

Manufacturer: **CITROEN**

Model: **ZX**

Type: **3/5 doors (N2)**

produced since 03.1991 till 06.1997

Technical data:

D-value: 6,46 kN

maximum trailer weight: **1100 kg**

maximum vertical cup load: **70 kg**

Approval number acc. to regulations EKG/ONZ 55.01: E20-55R-01 1112

Foreword

This towbar is designed according to rules of safety traffic regulations. The towing hitch is a safety component and must be installed only by qualified personnel. Any alteration or conversion to the towinh hitch is prohibited and would lead to cancellation of design certification. Remove insulating compound and underseal from vehicle (if present) in the area of the matting surfaces of the towing hitch.

The vehicle manufacturer's specifications regarding trailer load and max. vertical cup load are decisive for driving, and values for the towing hitch cannot be exceeded.

D-value formula:

$$\frac{\text{Max trailer weight [kg]} \times \text{Max vehicle weight [kg]}}{\text{Max trailer weight [kg]} + \text{Max vehicle weight [kg]}} \times \frac{9,81}{1000} = D \text{ [kN]}$$