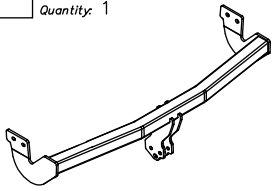
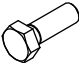


Towbar accessories:

| | | | | | |
|---|---|------------|---|--|---|
| Pos. 1 | Name: Main bar Quantity: 1 | Pos. 5 | Name: Bolt 8,8 B Quantity: 4 Dim.: M10x35mm | Pos. 10 | Name: Spring washer Quantity: 4 Dim.: \varnothing 10,2 mm |
|  | | Pos. 6 | Name: Nut 8 B Quantity: 2 Dim.: M12 | Pos. 11 | Name: Ball cover Quantity: 1 |
| Pos. 2 | Name: Tow ball Quantity: 1 | Pos. 7 | Name: Plain washer Quantity: 2 Dim.: \varnothing 13 mm | Pos. 12 | Name: Bolt 8,8 B Quantity: 1 Dim.: M8x30mm |
| Pos. 3 | Name: Socket plate Quantity: 1 | Pos. 8 | Name: Plain washer Quantity: 4 Dim.: \varnothing 10,5 mm | Pos. 13 | Name: Plain washer Quantity: 2 Dim.: \varnothing 8,5 mm |
| Pos. 4 | Name: Bolt 8,8 B Quantity: 2 Dim.: M12x75mm | Pos. 9 | Name: Spring washer Quantity: 2 Dim.: \varnothing 12,2 mm | Pos. 14 | Name: Nut 8 B Quantity: 1 Dim.: M8 |
| | | Pos. 15 | Name: Spring Quantity: 1 |  | |



PPUH AUTO-HAK Sp.J.

Produkcja Zaczepów Kulowych
Henryk & Zbigniew Nejman
76-200 SŁUPSK ul. Słoneczna 16K
tel/fax (059) 8-414-414; 8-414-413
E-mail: office@autohak.com.pl
www.autohak.com.pl

Towing hitch (without electrical set)

Class: **A50-X** Cat. no. **P25**

Designed for:

Manufacturer: **CITROEN**

Model: **C3, 5doors, except Plurier/X-TR**

produced since 05.2002 till 09.2005

and produced since 10.2005 till 12.2009

Technical data:

D-value: 6,6 kN

maximum trailer weight: **1176 kg**

maximum vertical cup load: **50 kg**

Approval number according to Directive 94/20/EC: **e20*94/20*0312*00**

Foreword

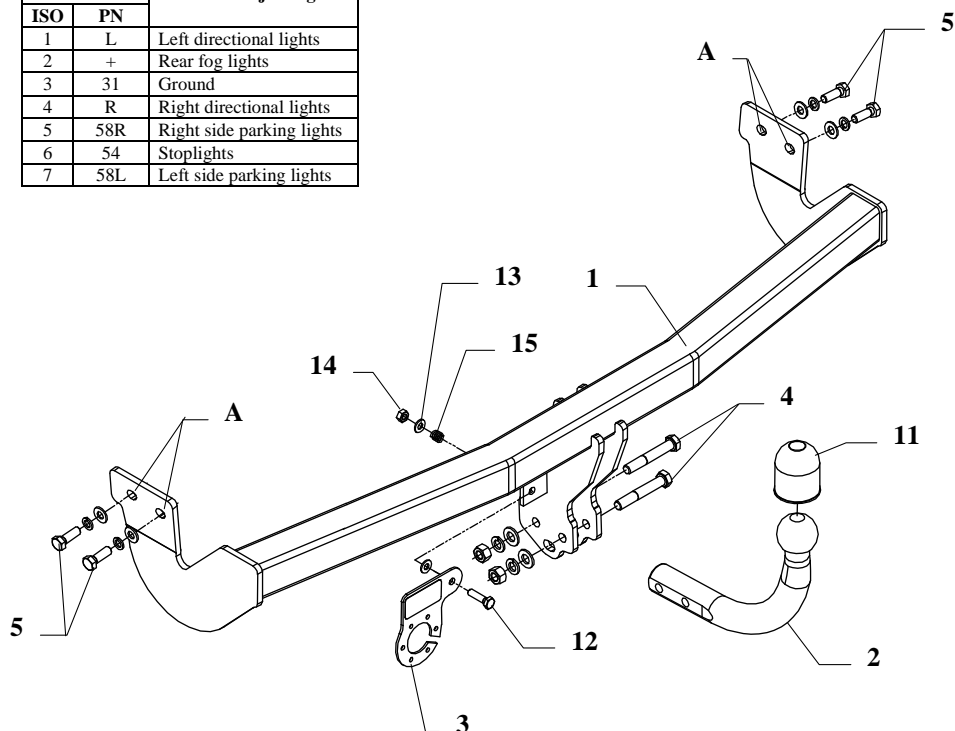
This towing hitch is designed according to rules of safety traffic regulations. The towing hitch is a safety component and can be install only by qualified personnel. Any alteration or conversion of the towing hitch is prohibited and would lead to cancellation of design certification. Remove insulating compound and underseal from vehicle (if present) in the areas of the matting surfaces of the towing hitch. The vehicle manufacturer's specifications regarding trailer load and max. vertical cup mass are decisive for driving whereat values for the towing hitch cannot be exceeded.

D-value formula:

$$\frac{\text{Max trailer weight [kg]} \times \text{Max vehicle weight [kg]}}{\text{Max trailer weight [kg]} + \text{Max vehicle weight [kg]}} \times \frac{9,81}{1000} = D \text{ [kN]}$$

FITTING INSTRUCTION

| Clamp mark in acc. with | | Cables joining |
|-------------------------|-----|---------------------------|
| ISO | PN | |
| 1 | L | Left directional lights |
| 2 | + | Rear fog lights |
| 3 | 31 | Ground |
| 4 | R | Right directional lights |
| 5 | 58R | Right side parking lights |
| 6 | 54 | Stoplights |
| 7 | 58L | Left side parking lights |



This towbar is designed to assembly in following cars:
CITROEN C3, 5 doors, except Plurier/X-TR produced since 05.2002 till 09.2005, and produced since 10.2005 till 12.2009, catalogue number **P25** and is prepared to tow trailers max total weight **1176 kg** and max vertical load **50 kg**.

From manufacturer

Thank you for buying our product. Their reliability has been confirmed in many tests. Reliability of towbar depends also on correct assembly and right operation. For this reasons we kindly ask to read carefully this instruction and apply to hints.

The towbar should be install in points described by a car producer.

The instruction of the assembly

1. Disassemble the bumper.
2. Dismount the metal support - not used any more.
3. Find the original holes under the conservation layer at the chassis member side (these holes are cover with the special assembly line - tear it off).
4. Position the main bar of towbar (pos. 1) - do it in such a way that the holes (pos. A) cover just prepared holes and fix it using M10x35mm bolts (pos. 5).
5. Replace the bumper.
6. Position the ball of towbar (pos. 2) and fix with M12x75mm (pos. 4) bolts from accessories.
7. Fix the socket plate (pos. 3) as shown on the drawing.
8. Tighten all nuts and bolts according to the torque shown in the table.
9. Connect to the electric wires according to the instructions of the car.
10. Complete the paint cover of towbar (during the mounting paint cover could be destroyed).

Torque settings for nuts and bolts (8,8):

| | | |
|--------------------|---------------------|---------------------|
| M6 - 11 Nm | M8 - 25 Nm | M10 - 50 Nm |
| M12 - 87 Nm | M14 - 138 Nm | M16 - 210 Nm |

NOTE

After install the towbar you should get adequate note in registration book (at authorised service station).The car should be equipped with:

- Indicators
- Tow mirrors

After 1000km of exploitation check all bolts and nuts. The ball of towbar must be always kept clear and conserve with a grease.