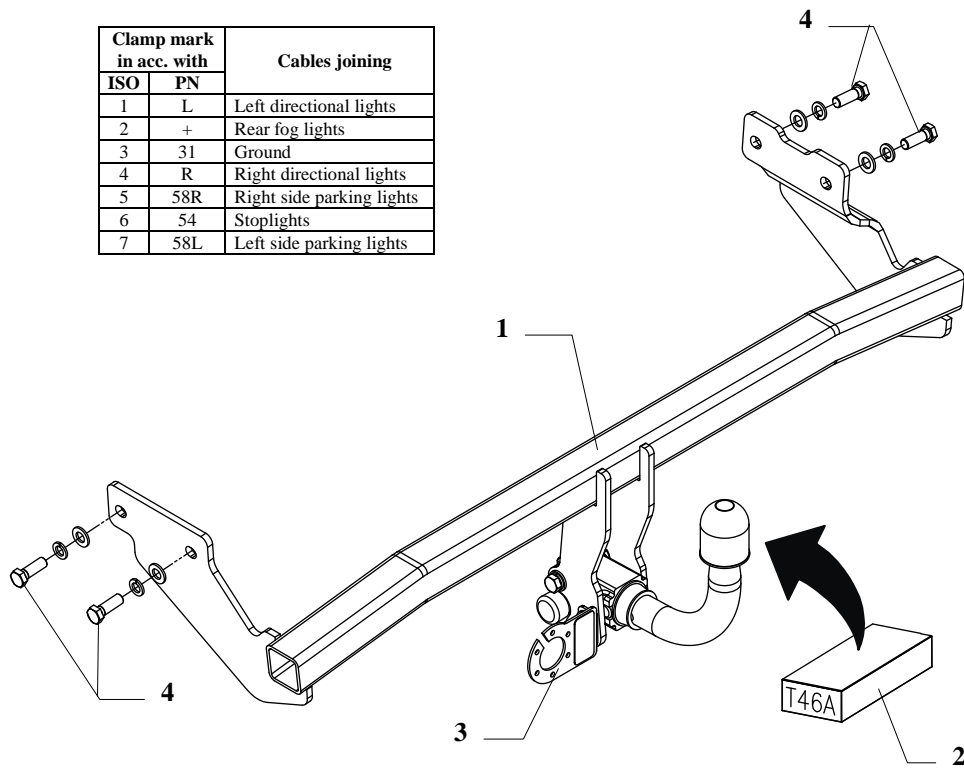


## FITTING INSTRUCTION

Clamp mark in acc. with		Cables joining
ISO	PN	
1	L	Left directional lights
2	+	Rear fog lights
3	31	Ground
4	R	Right directional lights
5	58R	Right side parking lights
6	54	Stoptlights
7	58L	Left side parking lights



This towing hitch is designed to assembly in following car: **KIA PICANTO 3/5 doors**, produced since 04.2004 till 04.2011, catalogue no. **T46A** and is prepared to tow trailers max total weight **700 kg** and max vertical load **28 kg**.

### *From manufacturer*

Thank you for buying our product. Their reliability has been confirmed in many tests. Reliability of towing hitch depends also on correct assembly and right operation. For this reasons we kindly ask to read carefully this instruction and apply to hints.

*The towing hitch should be install in points described by a car producer.*

## The instruction of the assembly

1. Disassemble rear light unit.
2. Disassemble rear bumper and metal reinforcement. Metal reinforcement will be not used any more.
3. Disassemble plastic covers from both sides of the chassis, see fig. 3.
4. Put main bar of the towing hitch (pos. 1) to chassis members in this way, so holes of the towing hitch agree with original holes in chassis members. Twist bolts M12x1,25x35mm (pos. 4).
5. Mount cover elements after cut right element according to figure 3.
6. Reassemble the bumper after cut his fragments according to figure 2.
7. Fix body of the automat and the socket plate (pos. 3) using bolts M12 from accessories. Place tow-ball according to supplied instruction.
8. Tighten all bolts according to the torque shown in the table.
9. Connect electric wires of 7-pole socket according to the instruction of the car. (Recommend to make at authorized service station)
10. Complete paint layer damaged during installation.

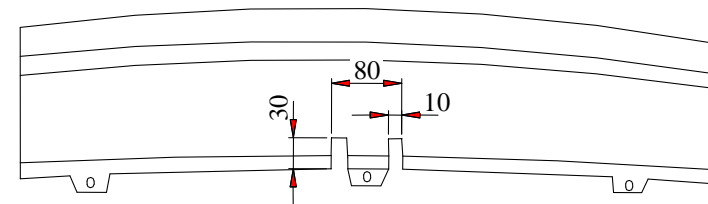


Fig. 2. Bumper cut out

**Attention!**  
Cut only right cover.

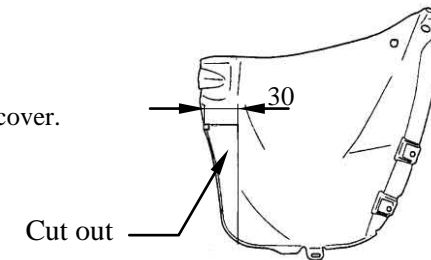


Fig. 3. Right side cover – cut out.

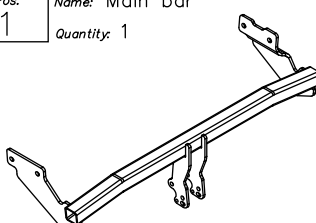
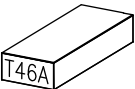
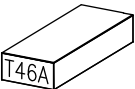

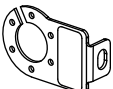

### **NOTE**

After install the towing hitch you should get adequate note in registration book (at authorised service station).The car should be equipped with:

- Indicators
- Tow mirrors

After 1000km of exploitation check all bolts and nuts. The ball of towing hitch must be always kept clear and conserve with a grease.

## Towing hitch accessories:

Pos. <b>1</b>	Name: Main bar Quantity: 1	Pos. <b>4</b>	Name: Bolt 8,8 B Quantity: 4 Dim. : M12x25
		Pos. <b>5</b>	Name: Bolt 8,8 B Quantity: 4 Dim. : M12x1,25x35mm
			
Pos. <b>2</b>	Name: Tow-ball Quantity: 1  (mounting set)	Pos. <b>6</b>	Name: Plain washer Quantity: 8 Dim. : $\phi$ 13 mm
			
Pos. <b>3</b>	Name: Socket plate Quantity: 1	Pos. <b>7</b>	Name: Spring washer Quantity: 8 Dim. : $\phi$ 12,2 mm
			

Torque settings for nuts and bolts (8,8):

<b>M8</b>	25 Nm	<b>M10</b>	55 Nm
<b>M12</b>	85 Nm	<b>M14</b>	135 Nm



**PPUH AUTO-HAK S.J.**

Produkcja Zaczepów Kulowych  
Henryk & Zbigniew Nejman  
76-200 SŁUPSK ul. Słoneczna 16K  
tel/fax (059) 8-414-414; 8-414-413  
E-mail: office@autohak.com.pl  
www. autohak.com.pl

## Towing hitch (without electrical set)

Class: **A50-X** Cat. no. **T46A**

Designed for:

Manufacturer: **KIA**

Model: **PICANTO**

Type: **3/5 doors**

produced since 04.2004 till 04.2011

Technical data:

**D-value: 5,0 kN**

maximum trailer weight: **700 kg**

maximum vertical cup load: **28 kg**

Approval number acc. to regulations EKG/ONZ 55.01: **E20 55R-01 1606**

### Foreword

This towing hitch is designed according to rules of safety traffic regulations. The towing hitch is a safety component and must be installed only by qualified personnel. Any alteration or conversion to the towing hitch is prohibited and would lead to cancellation of design certification. Remove insulating compound and underseal from vehicle (if present) in the area of the matting surfaces of the towing hitch.

The vehicle manufacturer's specifications regarding trailer load and max. vertical cup load are decisive for driving, and values for the towing hitch must not be exceeded.

*D-value formula:*

$$\frac{\text{Max trailer weight [kg]} \times \text{Max vehicle weight [kg]}}{\text{Max trailer weight [kg]} + \text{Max vehicle weight [kg]}} \times \frac{9,81}{1000} = D \text{ [kN]}$$