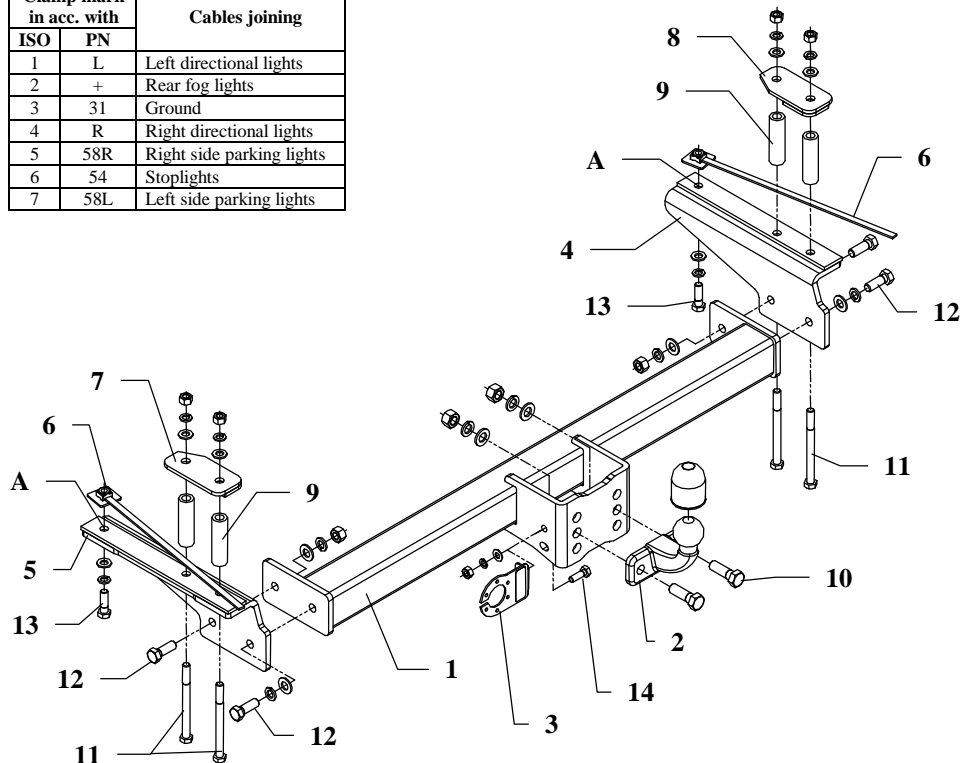


FITTING INSTRUCTION

Clamp mark in acc. with		Cables joining
ISO	PN	
1	L	Left directional lights
2	+	Rear fog lights
3	31	Ground
4	R	Right directional lights
5	58R	Right side parking lights
6	54	Stoptlights
7	58L	Left side parking lights



This towbar is designed to assembly in following cars:
NISSAN PATROL GR (Y60), produced since 01.1989 till 12.1997,
 catalogue no. **V09** and is prepared to tow trailers max total weight **3000 kg**
 and max vertical load **100 kg**.

From manufacturer

Thank you for buying our product. Their reliability has been confirmed in many tests. Reliability of towbar depends also on correct assembly and right operation. For this reasons we kindly ask to read carefully this instruction and apply to hints.

The towbar should be installing in points described by a car producer.

The instruction of the assembly

1. Disassemble rear corner-bumpers.
2. Place side brackets of the bumper (pos. 4 and 5) underneath the car in this way, so holes in brackets agree with holes in chassis frame.
 - Nuts on the jibs (pos. 6) put into frame and fix loosely through holes pos. A (in brackets).
 - Put into frame distance sleeves $\varnothing 25 \times 5 \text{ mm}$, $L=87 \text{ mm}$ (pos. 9) in this way so tally with holes in side brackets (pos. 4 and 5). Head put fish-plates (pos. 8 and 9) and fix loosely using bolts M12x140mm (pos. 11).
3. Between installed side brackets (pos. 4 and 5) put main bar of the towbar (pos. 1) and fix using bolts M14x40mm (pos. 12).
4. Fix tow-ball unit (pos. 2) using bolts M16x50mm (pos. 10) from towbar accessories.
5. Fix socket plate (pos. 3) using bolt M10x30mm (pos. 14) as shown on the figure.
6. Tighten all bolts according to the torque shown in the table.
7. Connect electric wires of 7-poles socket according to the instruction of the car. (Recommend to make at authorized service station).
8. Complete paint layer damaged during installation.

Torque settings for nuts and bolts (8,8):

M6 - 11 Nm	M8 - 25 Nm	M10 - 50 Nm
M12 - 87 Nm	M14 - 138 Nm	M16 - 210 Nm

NOTE

After install the towbar you should get adequate note in registration book (at authorised service station).The car should be equipped with:

- Indicators
- Tow mirrors

Check all bolts and nuts after 1000km of exploitation. The ball of towbar must be always kept clear and conserve with a grease.

Towbar accessories:

Pos. 1 Name: Main bar Quantity: 1	Pos. 7 Name: Right fish-plate Quantity: 1	Pos. 14 Name: Bolt 8,8 B Quantity: 1 Dim.: M10x30mm	Pos. 21 Name: Spring washer Quantity: 6 Dim.: \varnothing 12,2 mm
Pos. 2 Name: Tow ball Quantity: 1	Pos. 8 Name: Left fish-plate Quantity: 1	Pos. 15 Name: Plain washer Quantity: 2 Dim.: \varnothing 17 mm	Pos. 22 Name: Spring washer Quantity: 1 Dim.: \varnothing 10,2 mm
Pos. 3 Name: Socket plate Quantity: 1	Pos. 9 Name: Distance sleeve Quantity: 4 Dim.: \varnothing 25x5mm L=87mm	Pos. 16 Name: Plain washer Quantity: 4 Dim.: \varnothing 14 mm	Pos. 23 Name: Nut 8 B Quantity: 2 Dim.: M16
Pos. 4 Name: Right bracket Quantity: 1	Pos. 10 Name: Bolt 8,8 B Quantity: 2 Dim.: M16x50mm	Pos. 17 Name: Plain washer Quantity: 6 Dim.: \varnothing 12,5 mm	Pos. 24 Name: Nut 8 B Quantity: 2 Dim.: M14
Pos. 5 Name: Left bracket Quantity: 1	Pos. 11 Name: Bolt 8,8 B Quantity: 4 Dim.: M12x140mm	Pos. 18 Name: Plain washer Quantity: 1 Dim.: \varnothing 10,5 mm	Pos. 25 Name: Nut 8 B Quantity: 4 Dim.: M12
Pos. 6 Name: Nut on the jib Quantity: 2	Pos. 12 Name: Bolt 8,8 B Quantity: 4 Dim.: M14x40mm	Pos. 19 Name: Spring washer Quantity: 2 Dim.: \varnothing 16,3 mm	Pos. 26 Name: Nut 8 B Quantity: 1 Dim.: M10
	Pos. 13 Name: Bolt 8,8 B Quantity: 2 Dim.: M12x40mm	Pos. 20 Name: Podkładka sprężynowa Quantity: 4 Dim.: \varnothing 14,2 mm	Pos. 27 Name: Ball cover Quantity: 1



PPUH AUTO-HAK S.J.

Produkcja Zaczepów Kulowych
Henryk & Zbigniew Nejman
76-200 SŁUPSK ul. Słoneczna 16K
tel/fax (059) 8-414-414; 8-414-413
E-mail: office@autohak.com.pl
www.autohak.com.pl

Towing hitch (without electrical set)

Class: **A50-X** Cat. no. **V09**

Designed for:

Manufacturer: **NISSAN**

Model: **PATROL GR**

Type: **(Y60)**

produced since 08.1992 till 2002

Technical data:

D-value: 16,63 kN

maximum trailer weight: **3000 kg**

maximum vertical cup load: **100 kg**

Approval number according to Directive 94/20/EC: **e20*94/20*0617*00**

Foreword

This towbar is designed according to rules of safety traffic regulations. The towing hitch is a safety component and can be install only by qualified personnel. Any alteration or conversion of the towing hitch is prohibited and would lead to cancellation of design certification. Remove insulating compound and underseal from vehicle (if present) in the area of the matting surfaces of the towing hitch.

The vehicle manufacturer's specifications regarding trailer load and max. vertical cup load are decisive for driving whereat values for the towing hitch cannot be exceeded.

D-value formula:

$$\frac{\text{Max trailer weight [kg]} \times \text{Max vehicle weight [kg]}}{\text{Max trailer weight [kg]} + \text{Max vehicle weight [kg]}} \times \frac{9,81}{1000} = D \text{ [kN]}$$