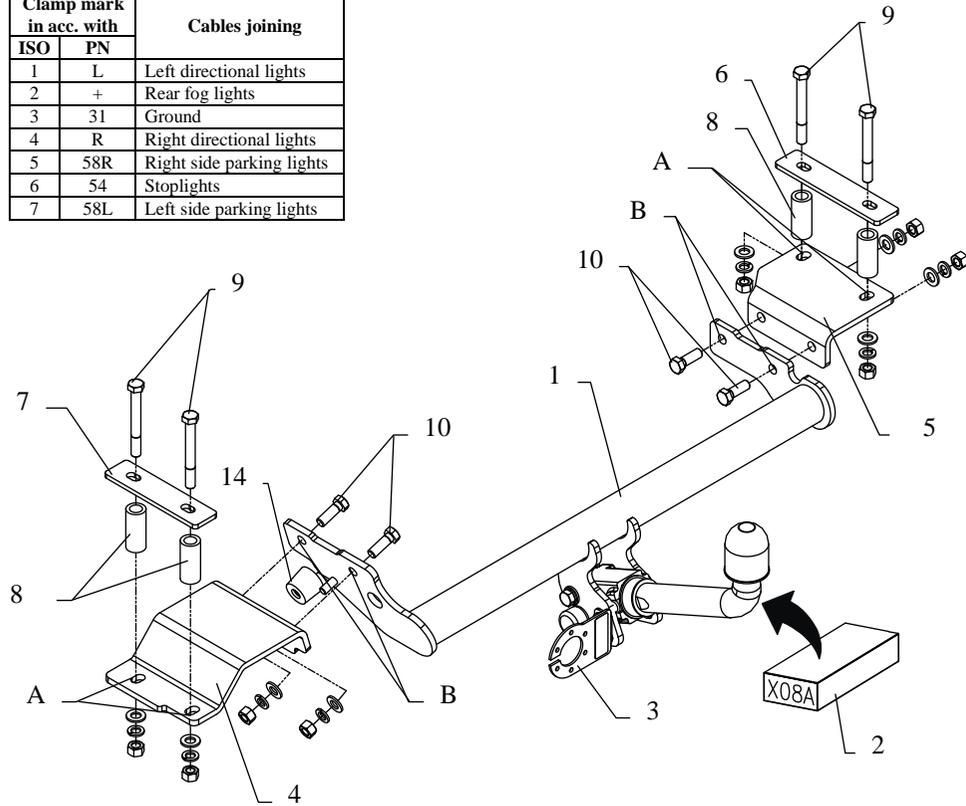


FITTING INSTRUCTION

Clamp mark in acc. with		Cables joining
ISO	PN	
1	L	Left directional lights
2	+	Rear fog lights
3	31	Ground
4	R	Right directional lights
5	58R	Right side parking lights
6	54	Stoplights
7	58L	Left side parking lights



This towbar is designed to assembly in following cars:

DAEWOO LANOS 3-5D produced since 1997 till 2003, catalogue no. **X08A** and is prepared to tow trailers max total weight **1100 kg** and max vertical load **50 kg**.

From manufacturer

Thank you for buying our product. Their reliability has been confirmed in many tests. Reliability of towbar depends also on correct assembly and correct exploitation. For this reasons we kindly ask to read carefully this instruction and apply to hints.

The towbar should be install in points described by a car producer.

Assemble instruction

- Disassemble the rear plastic panel's cover in the boot
- Put the template "A" on supports of the boot (left and right side), then sign huge hole according to this template and drill it.
- Unslide the fuel pump and dismount the runner
- Being at the bottom of car drill 12 mm through original holes (apparently 20 mm) of chassis members to the inside part of the boot (two holes per each side, do it very careful)
- Enlarge this holes fi 25 mm (do it inside of the boot) and next slip to this holes distance sleeves, see fig. 2
- Put fish plate (pos. 6 and 7) in that way so holes in elements (pos. 6 and 7) agree to early make holes.
- Put elements (pos. 4 and 5) at the bottom of car and fix it through distance sleeves and elements pos. (pos. 6 and 7) using bolts M12 x 100.
- Fix bar of towbar (pos. 1) through holes (pos. B) using M12x35mm to mounted elements (pos. 4 and 5)
- Reassemble fuel pump's runner through the hole signed at the fig. 3, then slide fuel pump and fix it to the handle of body car using link (shape of link is as the letter "Z") (pos. 15) from the car equipment
- Reassemble rear plastic panel cover (do this very precisely).
- Fix body of the automat and place tow-ball according to supplied instruction. Note! Remember to place socket plate (pos. 3) as shown on the drawing 1.
- Tighten all bolts according to the torque shown in the table.
- Connect electric wires of 7-bolts socket according to the instruction of the car. (Recommend to make at authorized service station)
- Complete paint layer damaged during installation.

Torque settings for nuts and bolts (8,8):

M6 - 11 Nm	M8 - 25 Nm	M10 - 50 Nm
M12 - 87 Nm	M14 - 138 Nm	M16 - 210 Nm

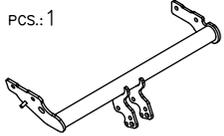
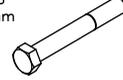
NOTE

After install the towbar you should get adequate note in registration book (at authorised service station).The car should be equipped with:

- Indicators
- Tow mirrors

After 1000km of exploitation check all bolts and nuts. The ball of towbar must be always kept clear and conserve with a grease.

Towbar equipment:

Pos. 1 Main bar PCS.: 1 	Pos. 4 Left bracket PCS.: 1 	Pos. 8 Distance sleeve ø25xø13x57mm PCS.: 4 	Pos. 12 Plain washer ø13mm PCS.: 8 
	Pos. 5 Right bracket PCS.: 1 	Pos. 9 Bolt 8,8 B M12x100mm PCS.: 4 	Pos. 13 Spring washer ø12,2mm PCS.: 8 
Pos. 2 Tow ball (mounting set) PCS.: 1 Art.no.-KL1X08A 	Pos. 6 Right overlay PCS.: 1 	Pos. 10 Bolt 8,8 B M12x35mm PCS.: 4 	Pos. 14 Buffer gum. pcs.: 1 
Pos. 3 Socket plate PCS.: 1 Art.no.-BLX08A 	Pos. 7 Right overlay PCS.: 1 	Pos. 11 Nut 8 B M12 PCS.: 8 	Pos. 15 Hypen pcs.: 1 



PPUH AUTO-HAK S.J.

Produkcja Zaczepów Kulowych
Henryk & Zbigniew Nejman
76-200 SŁUPSK ul. Słoneczna 16K
tel/fax (059) 8-414-414; 8-414-413
E-mail: office@autohak.com.pl
www. autohak.com.pl

Towing hitch (without electrical set)

Class: **A50-X** Cat. no. **X08A**

Designed for:

Manufacturer: **DAEWOO**

Model: **LANOS**

Type: **3-5D**

produced since 1997 till 2003

Technical data:

D-value: 6,40 kg

maximum trailer weight: **1100 kg**

maximum vertical cup load: **50 kg**

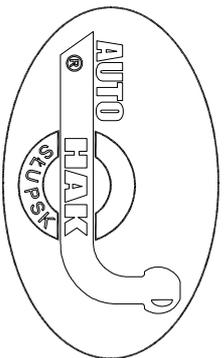
Approval number according to Directive 94/20/EC: e20*94/20*0810*00

Foreword

This towing hitch is designed according to rules of safety traffic regulations. The towing hitch is a safety component and can be install only by qualified personnel. Any alteration or conversion of the towing hitch is prohibited and would lead to cancellation of design certification. Remove insulating compound and underseal from vehicle (if present) in the areas of the matting surfaces of the towing hitch. The vehicle manufacturer's specifications regarding trailer load and max. vertical cup mass are decisive for driving whereat values for the towing hitch cannot be exceeded.

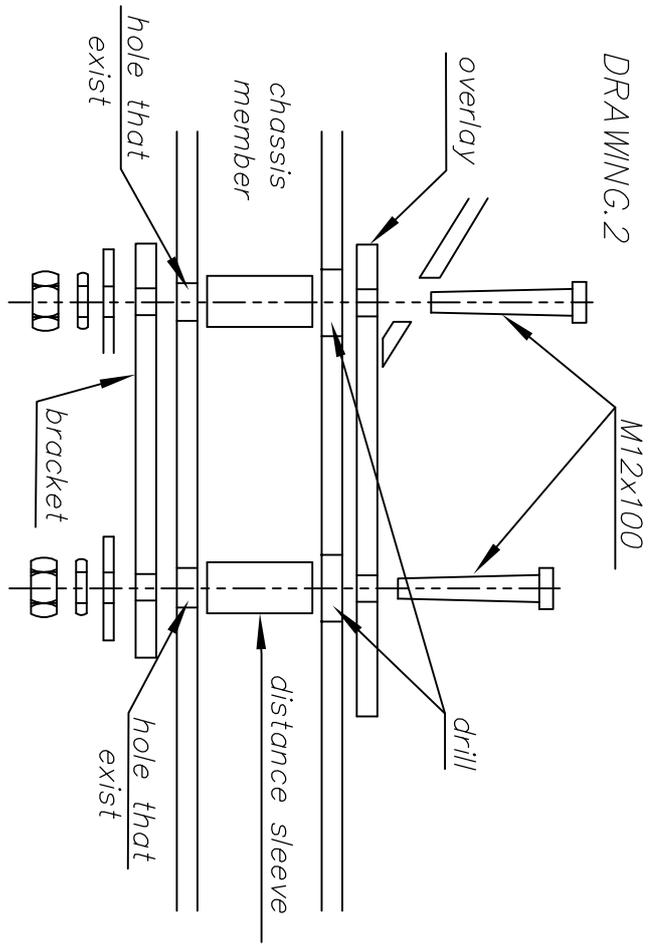
D-value formula:

$$\frac{\text{Max trailer weight [kg]} \times \text{Max vehicle weight [kg]}}{\text{Max trailer weight [kg]} + \text{Max vehicle weight [kg]}} \times \frac{9,81}{1000} = D \text{ [kN]}$$

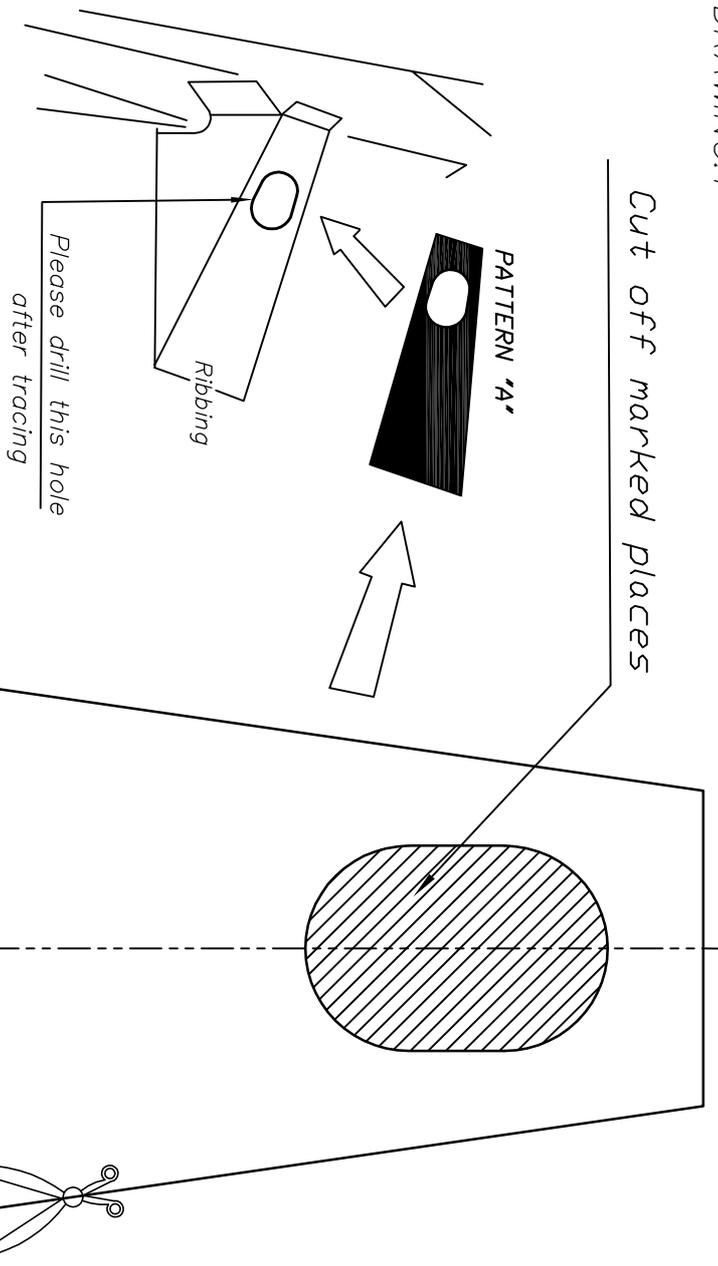


PPUH AUTO-HAK Sp.J.
 Henryk & Zbigniew Nejman
 ul. Stoneczna 16K
 76-200 SKUPSK, POLAND
 tel/fax +48 059 8-414-414;
 e-mail: office@autohak.com.pl
 www.autohak.com.pl

Pattern of car
DAEWOO LANDS, 3/5 doors.
Produced since 1997 till 2003
Catalogue number: X08A



DRAWING.1



DRAWING.3

