

FITTING INSTRUCTION

Clamp mark in acc. with		Cables joining
ISO	PN	
1	L	Left directional lights
2	+	Rear fog lights
3	31	Ground
4	R	Right directional lights
5	58R	Right side parking lights
6	54	Stoplights
7	58L	Left side parking lights

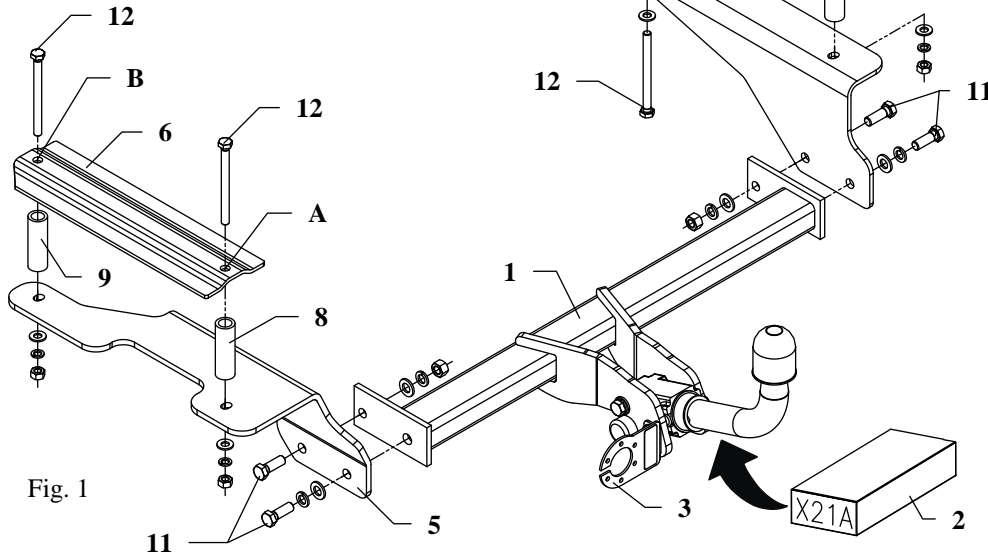


Fig. 1

This towing hitch is designed to assembly in following cars:
CHEVROLET AVEO, 4 doors, produced since 03.2006 till 07.2011,
 catalogue no. **X21A** and is prepared to tow trailers max total weight **1200 kg** and max vertical mass **75 kg**.

From manufacturer

Thank you for buying our product. Their reliability has been confirmed in many tests. Reliability of towing hitch depends also on correct assembly and right operation. For this reasons we kindly ask to read carefully this instruction and apply to hints.

The towing hitch should be install in points described by a car producer.

The instruction of the assembly

1. Clear boot and floor. Remove the back panel. Take off the side panels and move them to the center.
2. From the bottom of the car unscrew the filter.
3. Disassemble the original towing eye (will not be assembled again).
4. From the bottom of the bumper (in the centre-piece) cut out the fragment: the width 85mm and the depth 45mm.
5. Drill hole $\varnothing 11\text{mm}$ in point A through floor (from the bottom of the chassis).
6. Place fish-plate (pos. 6) on the hole A.
7. Drill hole $\varnothing 11\text{mm}$ in point B through fish-plate (pos. 6) in the floor.
8. Place fish-plate (pos. 7) on the right side, as one showed on the fig. 2 and drill holes $\varnothing 11\text{mm}$ in points C and D. Make sure that the holes to be drilled match the holes on the underside of the chassis.
9. Remove fish-plates (pos. 6 and 7) and enlarge the holes from inside the boot only to $\varnothing 30\text{mm}$.
10. Remove the anti-rumble material where the fish-plates are in contact.
11. Place fish-plates (pos. 6 and 7) with three bolts M10x120mm (pos. 12) in combination with the distance sleeves (pos. 8, 9, 10) – see fig. 1.
12. Place left bracket (pos. 5) in points A and B and fix loosely.
13. Place right bracket (pos. 4) in points C and D with the fourth bolt M10x120mm (pos. 12) and fix loosely.
14. Fix the main bar of the towing hitch (pos. 1) using bolts M12x35mm (pos. 11).
15. Fix body of the automat and place tow-ball according to supplied instruction. Note! Remember to place socket plate (pos. 3) as shown on the drawing 1.
16. Tighten all bolts according to the torque shown in the table.
17. Connect electric wires of 7-poles socket according to the instruction of the car. (Recommend to make at authorized service station).
18. Complete paint layer damaged during installation.
19. Install again the filter.

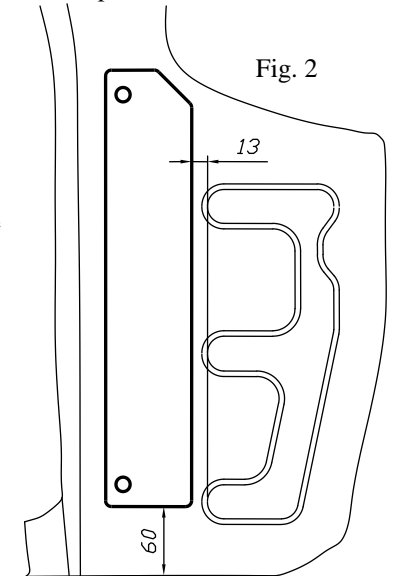


Fig. 2

Torque settings for nuts and bolts (8,8):	
M 8 - 25 Nm	M 10 - 55 Nm
M 12 - 85 Nm	M 14 - 135 Nm

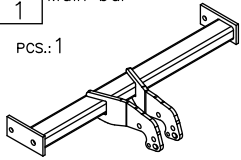
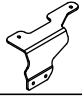


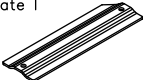
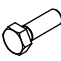



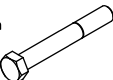

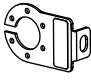






NOTE

After install the towing hitch you should get adequate note in registration book (at authorised service station). The car should be equipped with:

- Indicators
- Tow mirrors

After 1000km check all bolts and nuts. The ball of towing hitch must be always kept clear and conserve with a grease.

Towing hitch accessories:

Pos. 1 Main bar PCS.: 1 	Pos. 5 Left bracket PCS.: 1 	Pos. 10 Distance sleeve ø25x4mm L=69mm PCS.: 1 	Pos. 15 Plain washer ø12mm PCS.: 4 
	Pos. 6 Fish-plate I PCS.: 1 	Pos. 11 Bolt 8,8 B M12x35mm PCS.: 4 	Pos. 16 Plain washer ø10mm PCS.: 5 
Pos. 2 Tow ball PCS.: 1 	Pos. 7 Fish-plate II PCS.: 1 	Pos. 12 Bolt 8,8 B M10x120mm PCS.: 4 	Pos. 17 Spring washer ø12mm PCS.: 4 
Pos. 3 Socket plate PCS.: 1 	Pos. 8 Distance sleeve ø25x4mm L=79mm PCS.: 1 	Pos. 13 Nut 8,8 B M12 PCS.: 2 	Pos. 18 Spring washer ø10mm PCS.: 4 
Pos. 4 Right bracket PCS.: 1 	Pos. 9 Distance sleeve ø25x4mm L=77mm PCS.: 2 	Pos. 14 Nut 8,8 B M10 PCS.: 4 	



PPUH AUTO-HAK S.J.

Produkcja Zaczepów Kulowych
 Henryk & Zbigniew Nejman
 76-200 SŁUPSK ul. Słoneczna 16K
 tel/fax (059) 8-414-414; 8-414-413
 E-mail: office@autohak.com.pl
www.autohak.com.pl

Towing hitch (without electrical set)

Class: **A50-X** Cat. no. **X21A**

Designed for:

Manufacturer: **CHEVROLET**

Model: **AVEO**

Type: **4 doors**

produced since 03.2006 till 07.2011

Technical data:

D-value: 6,7 kN

maximum trailer weight: **1200 kg**

maximum vertical cup mass: **75 kg**

Approval number according to Directive 94/20/EC: e20*94/20*0705*00

Foreword

This towing hitch is designed according to rules of safety traffic regulations. The towing hitch is a safety component and can be install only by qualified personnel. Any alteration or conversion of the towing hitch is prohibited and would lead to cancellation of design certification. Remove insulating compound and underseal from vehicle (if present) in the area of the matting surfaces of the towing hitch. The vehicle manufacturer's specifications regarding trailer mass and max. vertical cup mass are decisive for driving whereat values for the towing hitch cannot be exceeded.

D-value formula:

$$\frac{\text{Max trailer weight [kg]} \times \text{Max vehicle weight [kg]}}{\text{Max trailer weight [kg]} + \text{Max vehicle weight [kg]}} \times \frac{9,81}{1000} = D \text{ [kN]}$$