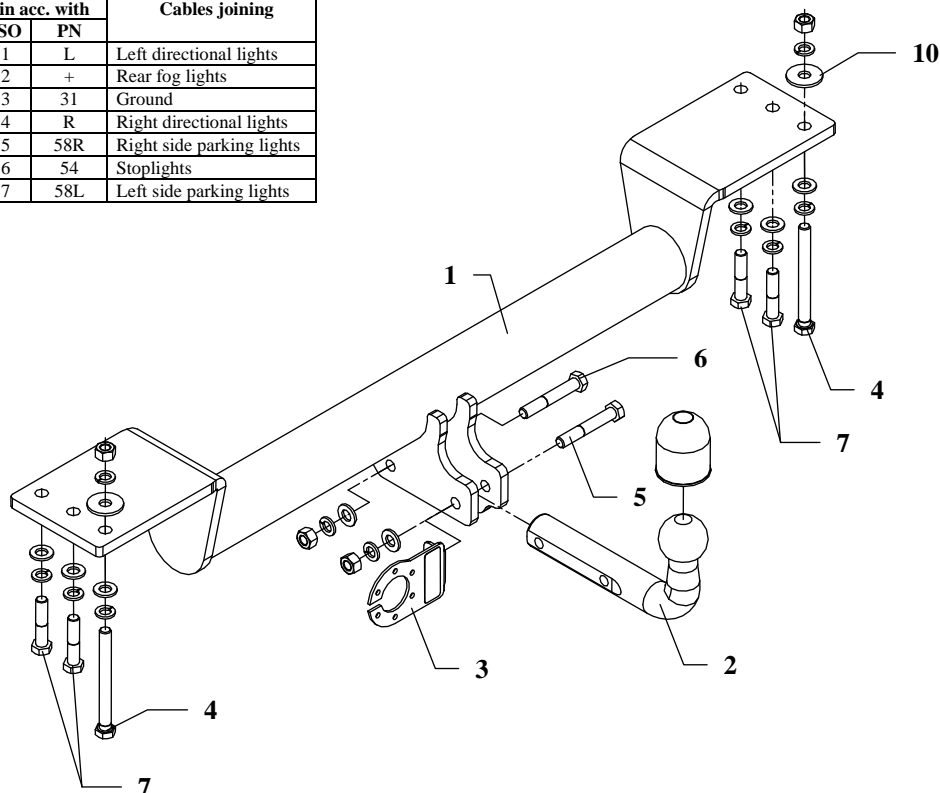


FITTING INSTRUCTION

Clamp mark in acc. with		Cables joining
ISO	PN	
1	L	Left directional lights
2	+	Rear fog lights
3	31	Ground
4	R	Right directional lights
5	58R	Right side parking lights
6	54	Stoplights
7	58L	Left side parking lights



This towing hitch is designed to assembly in following cars: **MITSUBISHI PAJERO, V20, (V2/V4), 3/5 doors**, produced since 12.1990 till 05.2000, catalogue no. **Z02** and is prepared to tow trailers max total weight **3300 kg** and max vertical mass **135 kg**.

From manufacturer

Thank you for buying our product. Their reliability has been confirmed in many tests. Reliability of towing hitch depends also on correct assembly and right operation. For this reasons we kindly ask to read carefully this instruction and apply to hints.

The towing hitch should be install in points described by a car producer.

The instruction of the assembly

1. Apply the main bar of the towing hitch (pos. 1) from the bottom of the car to the frame of the car. Then fix it trough the side holes of the towing hitch and existing holes of the car frame using bolts M12x1.25x55mm (pos. 7) and M12x120mm (pos. 4) from the towing hitch accessories – see the drawing.
2. Fix tow ball (pos. 2) using bolt M12x75mm (pos. 5) and M12x70mm (pos. 6). With bolt M12x75mm fix also a socket plate (pos. 3). See figure 1.
3. Tighten all bolts according to the torque shown in the table.
4. Connect electric wires of 7-poles socket according to the instruction of the car. (Recommend to make at authorized service station).
5. Complete paint layer damaged during installation.

Torque settings for nuts and bolts (8,8):

M6 - 11 Nm	M8 - 25 Nm	M10 - 50 Nm
M12 - 87 Nm	M14 - 138 Nm	M16 - 210 Nm

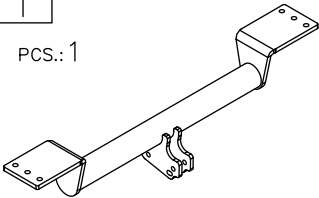
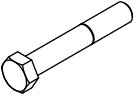

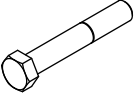

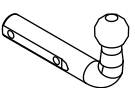
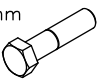
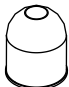

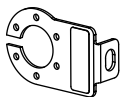

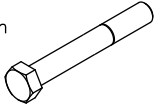
NOTE

After install the towing hitch you should get adequate note in registration book (at authorised service station). The car should be equipped with:

- Indicators
- Tow mirrors

After 1000km of exploitation check all bolts and nuts. The ball of towing hitch must be always kept clear and conserve with a grease.

Towing hitch accessories:

Pos. 1 Main bar PCS.: 1 	Pos. 5 Bolt 8,8 B M12x75mm PCS.: 1 	Pos. 10 Washer ø37xø13x3mm PCS.: 2 
	Pos. 6 Bolt 8,8 B M12x70mm PCS.: 1 	Pos. 11 Spring washer ø12mm PCS.: 10 
Pos. 2 Tow ball pcs.: 1 	Pos. 7 Bolt 8,8 B M12x1.25x55mm PCS.: 4 	Pos. 12 Ball cover PCS.: 1 
	Pos. 8 Nut 8 B M12 PCS.: 4 	
Pos. 3 Socket plate pcs.: 1 	Pos. 9 Plain washer ø12mm PCS.: 8 	
Pos. 4 Bolt 8,8 B M12x120mm PCS.: 2 		



PPUH AUTO-HAK S.J.

Produkcja Zaczepów Kulowych
Henryk & Zbigniew Nejman
76-200 SŁUPSK ul. Słoneczna 16K
tel/fax (059) 8-414-414; 8-414-413
E-mail: office@autohak.com.pl
www.autohak.com.pl

Towing hitch (without electrical set)

Class: **A50-X** Cat. no. **Z02**
Designed for:
Manufacturer: **MITSUBISHI**
Model: **PAJERO**
Type: **3/5 doors, V20, (V2/V4)**
produced since 12.1990 till 05.2000

Technical data:
D-value: 14,3 kN
maximum trailer weight: **3300 kg**
maximum vertical cup mass: **135 kg**

Approval number acc. to regulations EKG/ONZ 55.01: **E20-55R-01 0864**

Foreword

This towing hitch is designed according to rules of safety traffic regulations. The towing hitch is a safety component and can be install only by qualified personnel. Any alteration or conversion of the towing hitch is prohibited and would lead to cancellation of design certification. Remove insulating compound and underseal from vehicle (if present) in the area of the matting surfaces of the towing hitch. The vehicle manufacturer's specifications regarding trailer mass and max. vertical cup mass are decisive for driving whereat values for the towing hitch cannot be exceeded.

D-value formula:

$$\frac{\text{Max trailer weight [kg]} \times \text{Max vehicle weight [kg]}}{\text{Max trailer weight [kg]} + \text{Max vehicle weight [kg]}} \times \frac{9,81}{1000} = D \text{ [kN]}$$